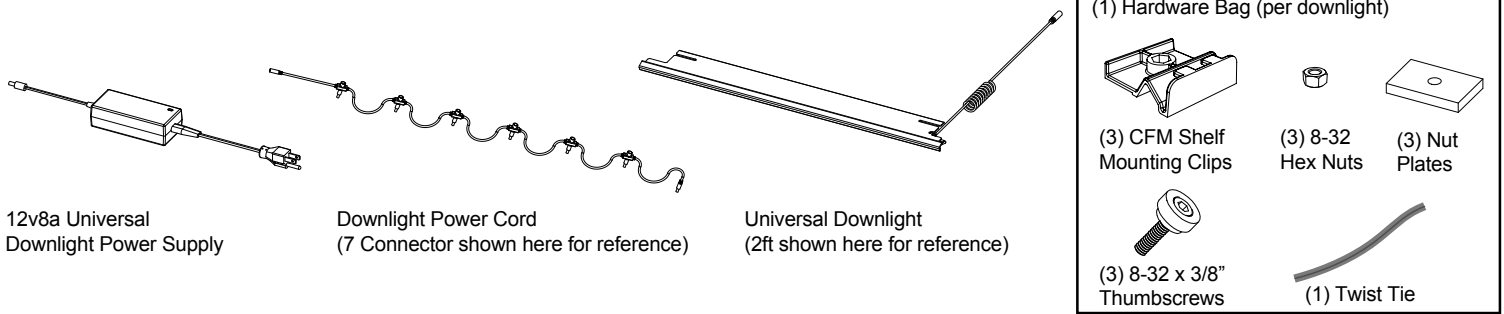


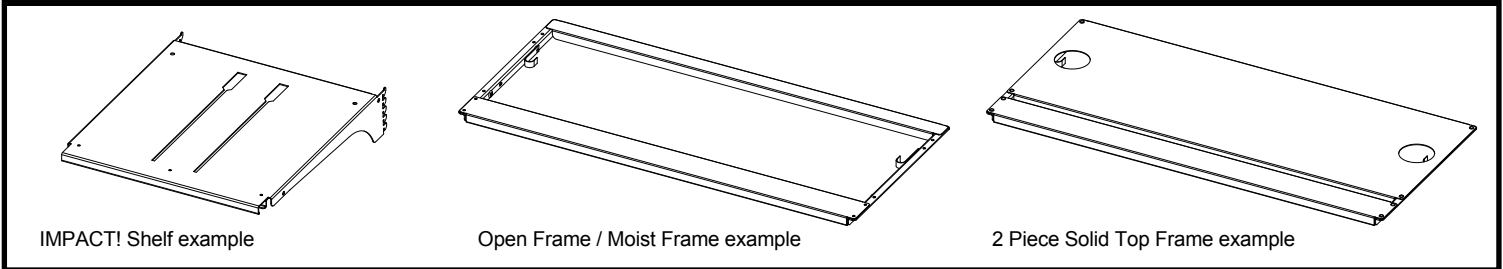
- 1' Universal Downlight Item # 27021.1
- 2' Universal Downlight Item # 27022.1
- 3' Universal Downlight Item # 27023.1
- 4' Universal Downlight Item # 27024.1

- 5 Connector Universal Downlight Power Cord Item # 270009
- 7 Connector Universal Downlight Power Cord Item # 270010
- 12 Connector Universal Downlight Power Cord Item # 270011
- 12v8a Universal Downlight Power Supply Item # 270012

**Contents:**



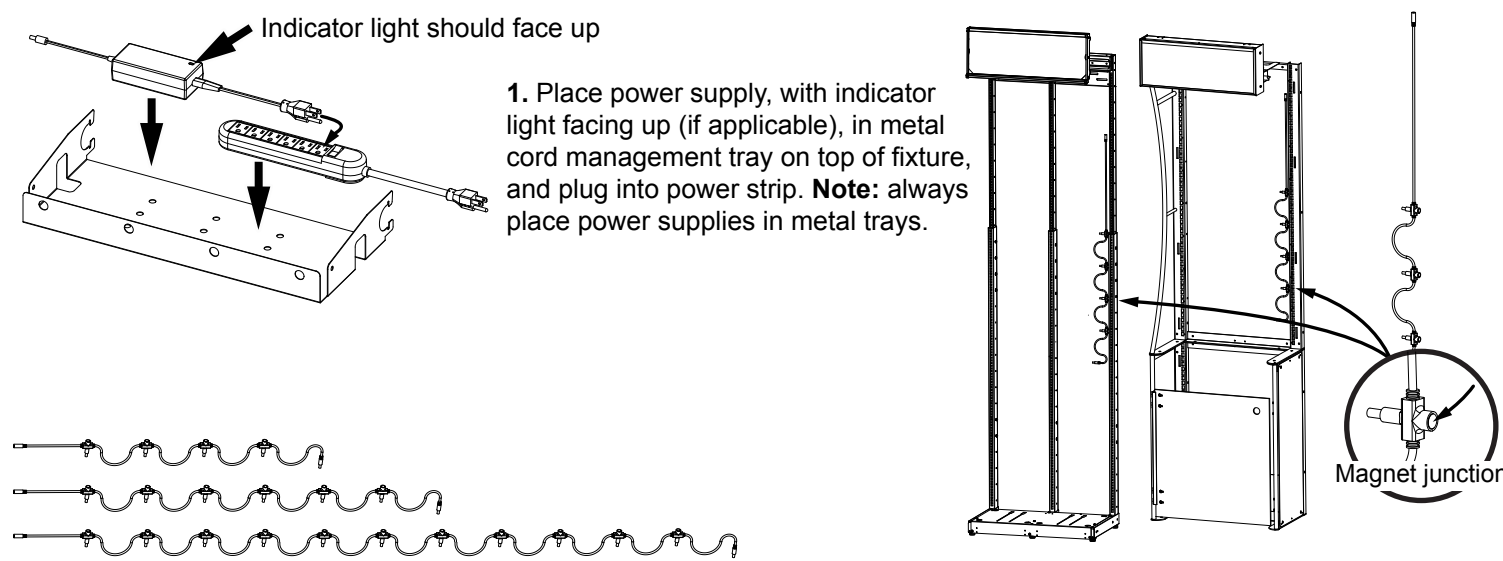
**IMPORTANT: This downlight can be installed on ImageWorks IMPACT!, Open Frame, Moist or 2-Pc Solid Top Shelf with hardware provided.**



**For retrofit application of downlights, remove existing product and shelving for ease of install. For new fixtures, install downlight, power supplies and power cords PRIOR to installing shelving.**

**Install Power Supply and Power Cord**

Note: (1) Power Supply and (1) Power Cord are needed per fixture section:



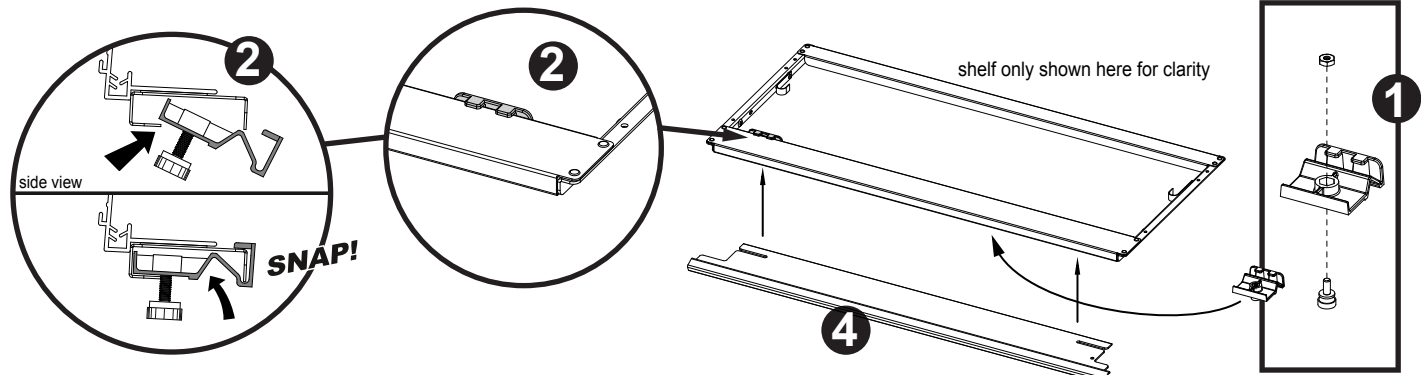
1. Place power supply, with indicator light facing up (if applicable), in metal cord management tray on top of fixture, and plug into power strip. **Note:** always place power supplies in metal trays.

2. Select appropriate Power Cord for your fixture application. Note that power cords come in 5-Connector, 7-Connector or 12-Connector applications. Use the appropriate cord allocated for your fixture to correspond with the number of downlights.

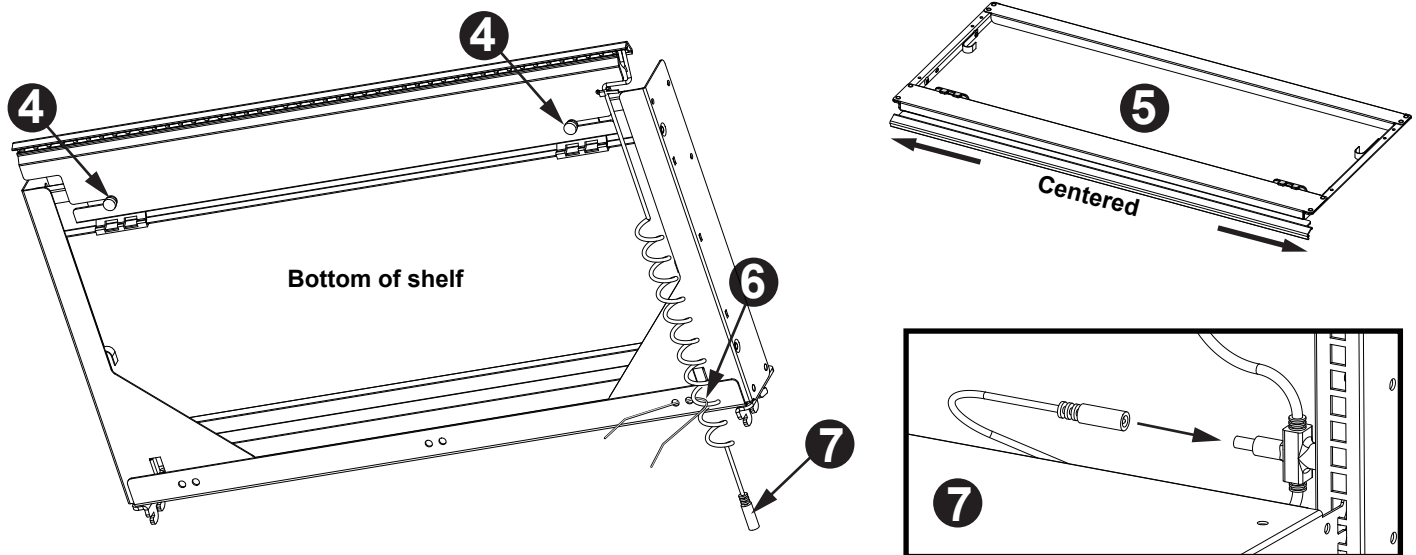
3. Install Power Cord to rear uprights of fixture by placing integrated cord magnet junction on the side of the upright. **Note:** Always mount power cord to the **RIGHT UPRIGHT** of a fixture, to align with downlight cords. Spacing can be adjusted to align with lights as needed.

For application on ImageWorks' Classic Open Frame, Moist or 2 Piece Solid Top Shelving, follow the below hardware directions.

Note: install downlights and perform wire management PRIOR to installing pushers/ dividers on shelving.



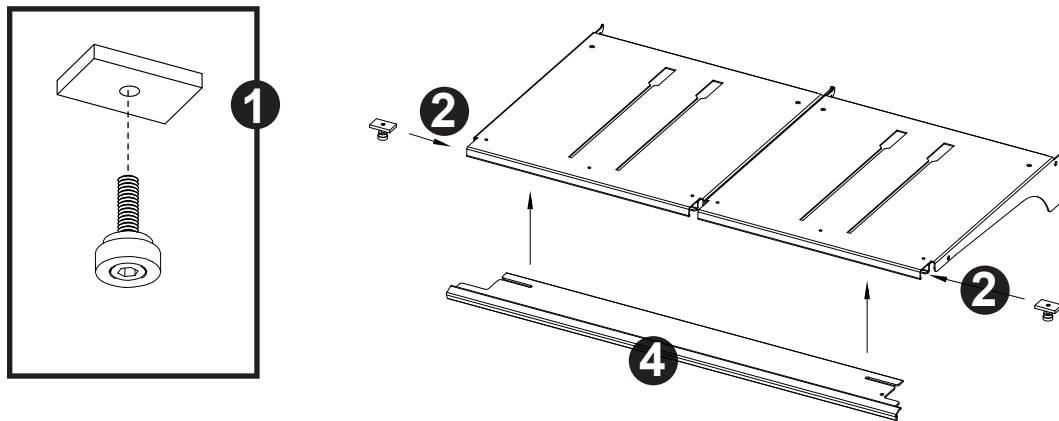
1. Pre-assemble Shelf Clips by inserting (1) Nut and (1) Thumbscrew per clip, as shown. **Note:** Insert Thumbscrew so that it is flush with the top of the nut. Only start the connection of the screw and nut.
2. Slide Pull-Out Shelf out to attach the (2) shelf clip assemblies. Insert flat side of clip into the under mount of shelf. The "toothed" side of the shelf clip will be on the back side of the shelf rail.
3. Slide both Shelf Clips to the far outside edges of the shelf. **Note:** 3ft and 4ft Downlights requires extra hardware on the Center Notch of the downlight, for a total of (3) mounting hardware locations.



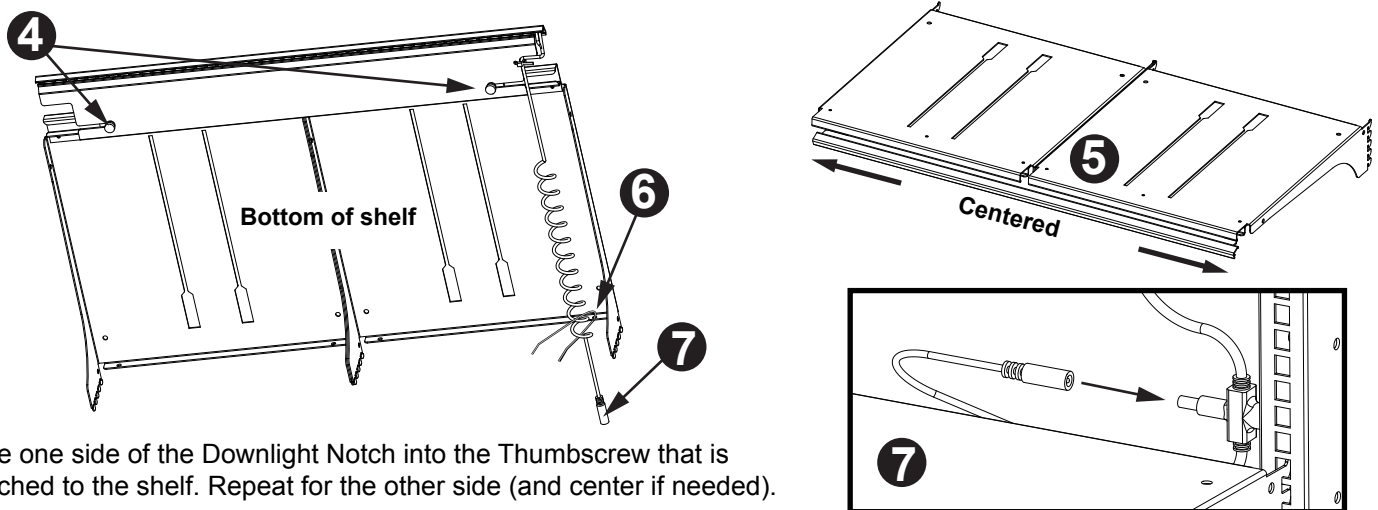
4. Slide one side of the Downlight Notch into the Thumbscrew that is attached to the shelf. Repeat for the other side (and center if needed).
5. Adjust shelf clips and Downlight to desired location (centered left to right) and tighten Thumbscrews.
6. Run the Downlight cord down behind the shelves and across the bottom of the shelf. Use supplied Twist-Tie to secure final two loops of Downlight coiled cord to holes in Shelf Support to eliminate cord slack.
7. Plug barrel connector from downlight into the Power Cord that has been pre-installed onto the upright of the fixture.
8. Repeat for all downlights in fixture.

**For application on an ImageWorks' IMPACT! shelf, follow the below hardware directions.**

Note: install downlights and perform wire management PRIOR to installing pushers/ dividers on shelving.



1. Pre-assemble nut plates by inserting (1) Thumbscrew into (1) Nut Plate, as shown. **Note:** insert Thumbscrew so that it is flush with the top of the Nut Plate. Only start the connection of the screw and Nut Plate.
2. Slide Nut Plate into the Under Channel Mount of shelf.
3. Slide both Nut Plate assemblies to the far outside edges of the shelf. Note: 3ft and 4ft Downlights requires extra hardware on the Center Notch of the downlight, for a total of (3) mounting hardware locations.



4. Slide one side of the Downlight Notch into the Thumbscrew that is attached to the shelf. Repeat for the other side (and center if needed).
5. Adjust Nut Plates and Downlight to desired location (centered left to right) and tighten Thumbscrews.
6. Run the Downlight cord down behind the shelves and across the bottom of the shelf. Use supplied Twist-Tie to secure final two loops of Downlight coiled cord to IMPACT! shelf, to eliminate cord slack.
7. Plug barrel connector from downlight into the Power Cord that has been pre-installed onto the upright of the fixture.
8. Repeat for all Downlights in fixture.

**After all downlights of a fixture have been installed, Power Cord on upright can be adjusted to desired locations by sliding magnets up or down.**

**Ensure all lights turn on correctly and are wire managed appropriately before re-installing pushers, dividers and product.**