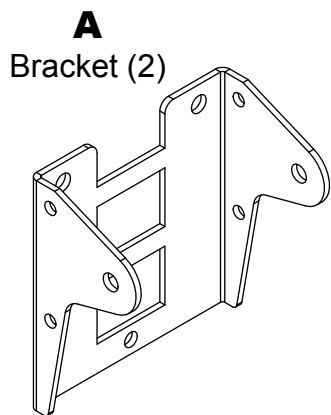


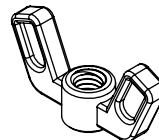
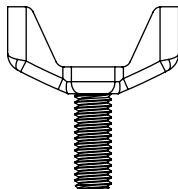


Contents:



Item# 370805: LED Flip Up Header Hardware Kit

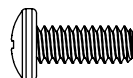
B #10-32 x 1/2 Wing Screw (4) **C** #10-32 Wing Nut (4)



D #10 Tooth Washer (4)



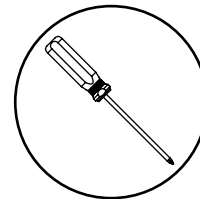
E #10-24 x 1/2" Screw (5)



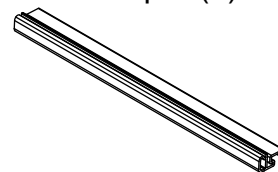
G Push Pin (2)



Tools Required:



F Bumper (2)

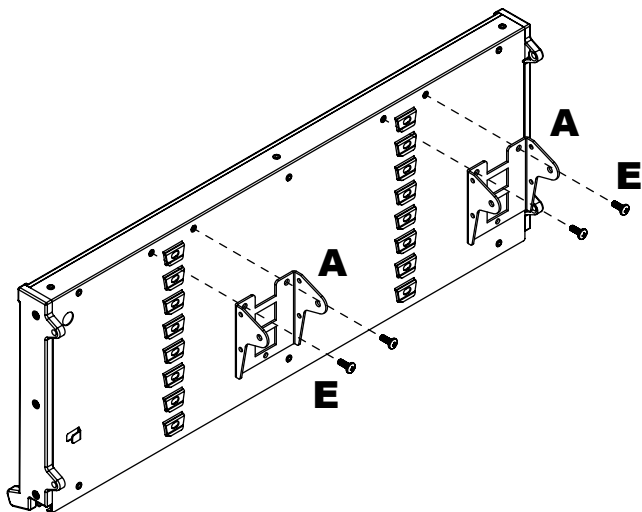


⚠ WARNING

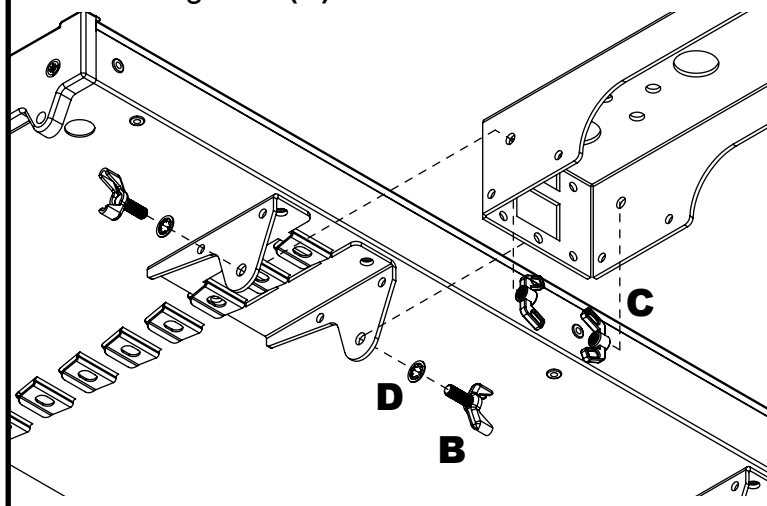
Unplug and turn off power before installing or servicing. Failure to secure header results in an unsafe condition in which the light header could be knocked off the metal display, resulting in injury. This sign is intended to be installed in accordance with the requirements of Article 600 of the NEC and/or other applicable local codes. This includes proper grounding and bonding of the sign. Dry location installation only.

LED Flip Header

1 Secure 2x Bracket (**A**) onto LED Header (2' shown) using 4x #10-24 x 1/2" screws (**E**).

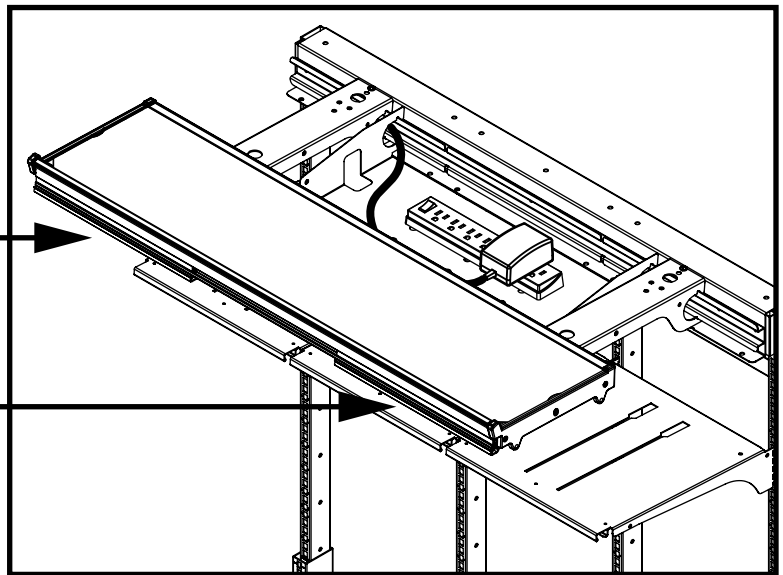
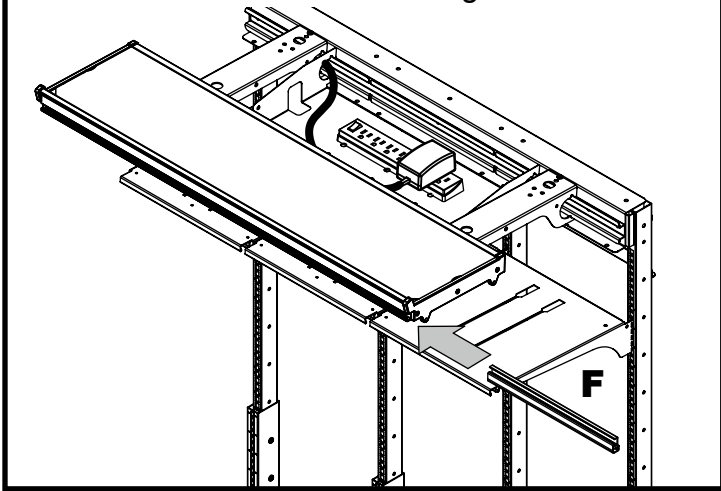


2 Secure Header onto Support Arms using 4x Wing Screws (**B**), 4x Tooth Washers (**D**), and 4x Wing Nuts (**C**) as shown.



Underside View

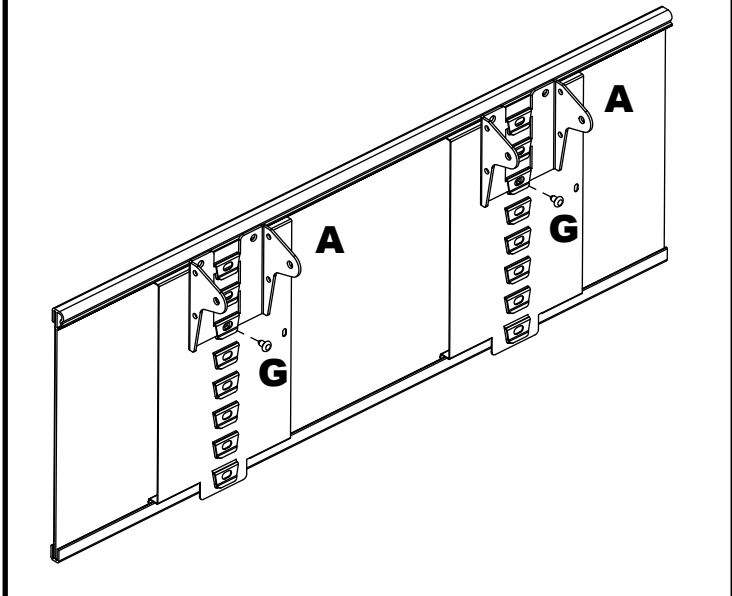
- ③ With shelves in place, slide 2x Bumper (F) into shelf channel behind sign.



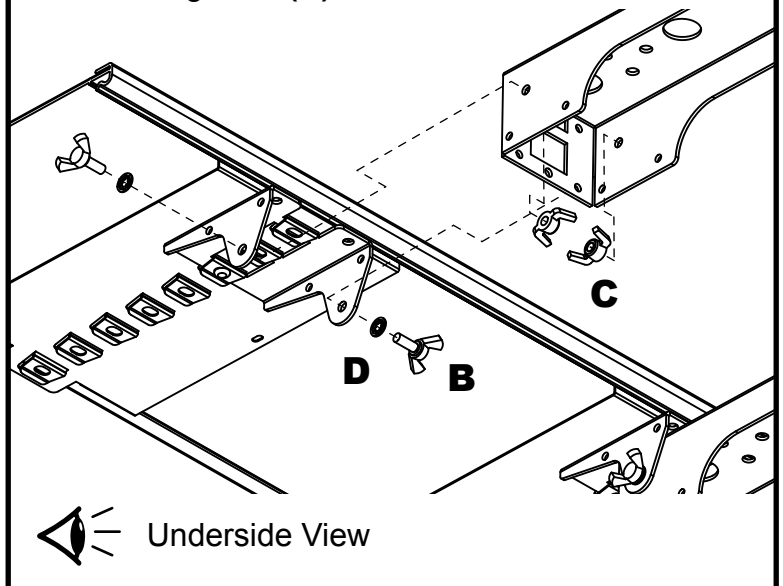
STOP Refer to LED Header Instruction Sheet for cord management and final assembly.

Non-Lit Flip Header

- ① Secure 2x Bracket (A) onto Non-Lit Header (2' shown) using 2x Push Pins (E).



- ② Secure Header onto Support Arms using 4x Wing Screws (B), 4x Tooth Washers (D), and 4x Wing Nuts (C) as shown.



- ③ With shelves in place, slide 2x Bumper (F) into shelf channel.

