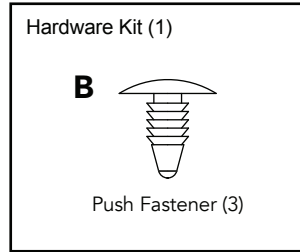
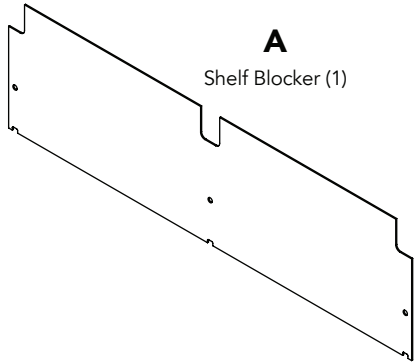
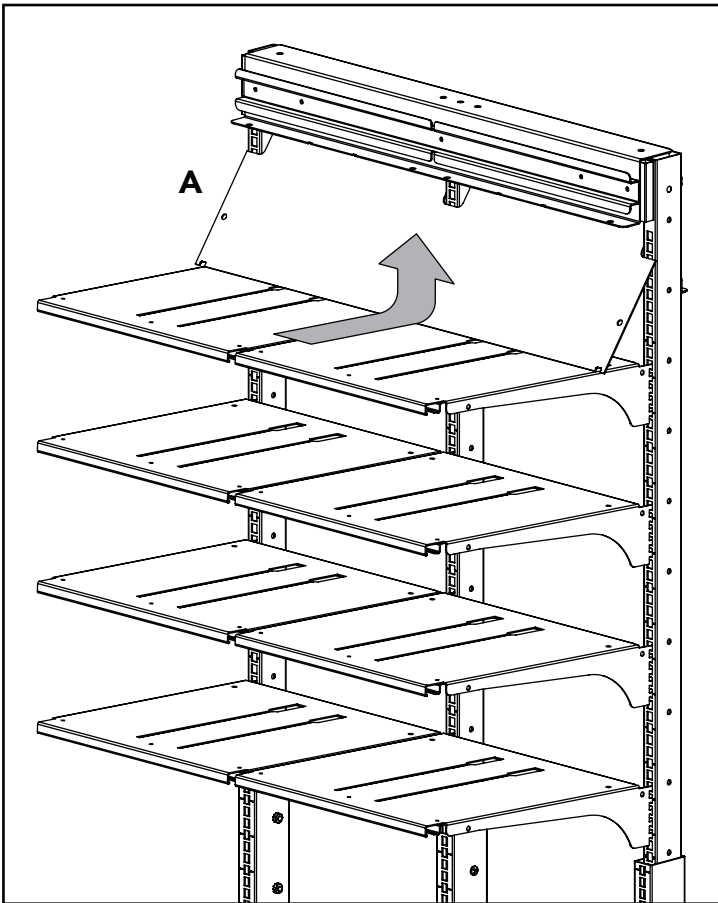




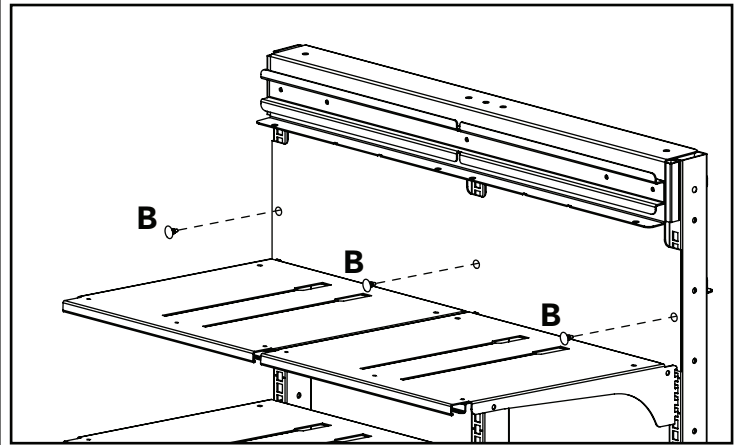
Contents:



1. Install Shelf Blocker (A) into frame as shown.



2. Secure Shelf Blocker (A) using 3x Push Fasteners (B).



NOTE: Overlap Shelf Blockers as needed.

