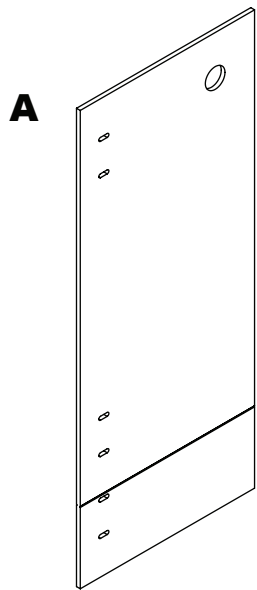
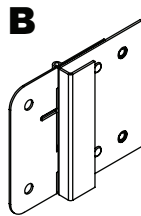




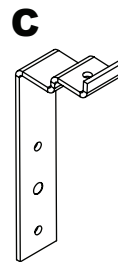
Contents:



Blockout Panel (1)



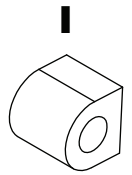
J-Channel Hinge (2)



Top Bracket (1)



Bottom Bracket (1)



Bumpers (1)

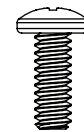
(1) Hardware Kit



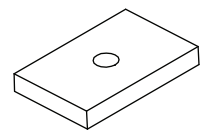
Flat-head Screw (5)



Keps Nut (4)



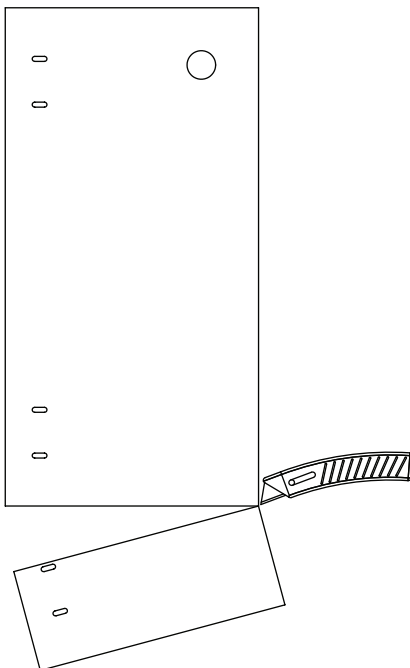
1/2" Screw (6)



Nut Plate (1)

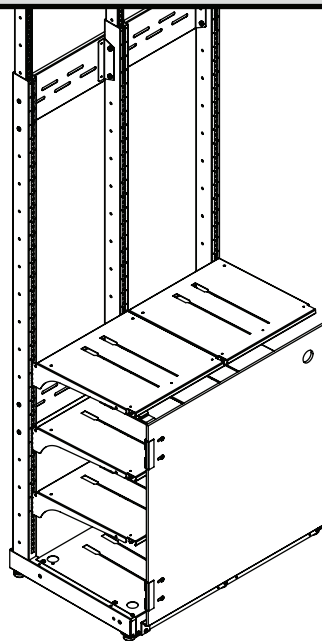
OPTIONAL

If 24" door is required, cut along score on Block-out Panel as shown before securing bracketry.

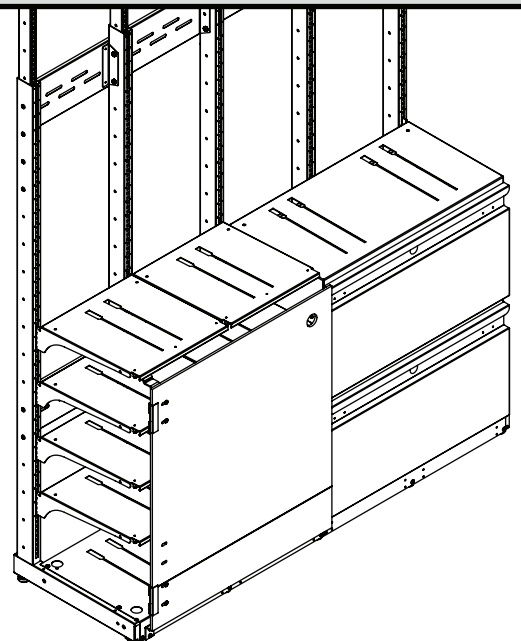


NOTE:

24" Blockout Door is industry standard.
 29" Blockout Door is used to align with height of (2) Storage Drawers.

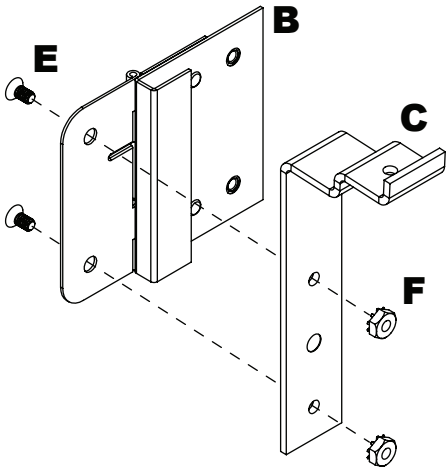


24" Blockout Door

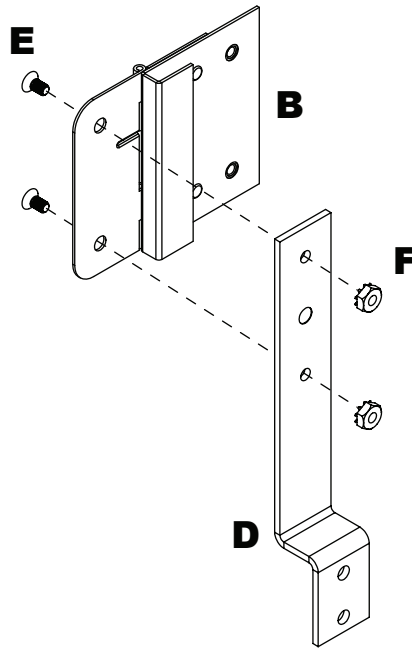


29" Blockout Door

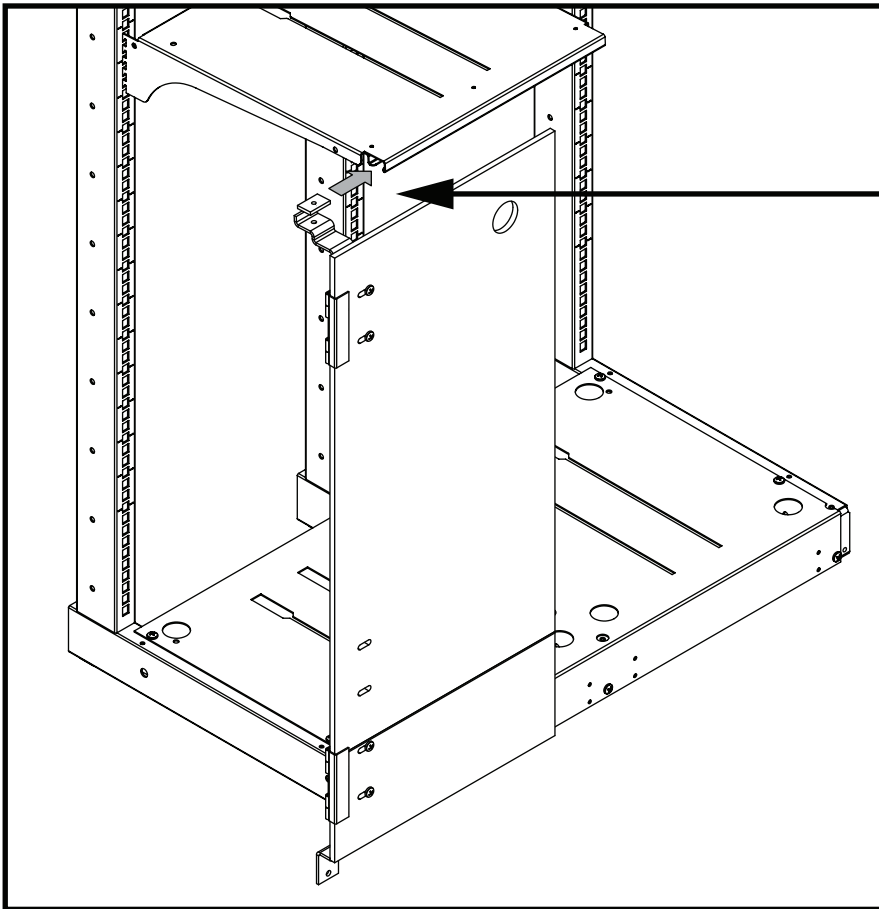
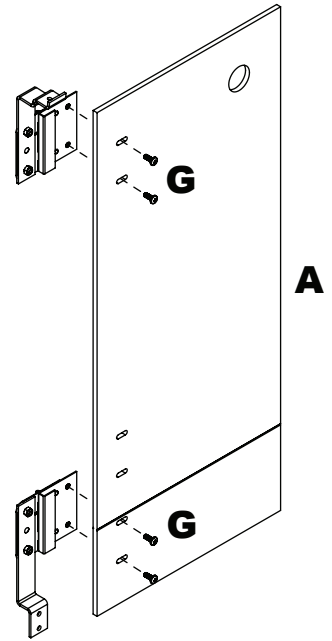
1 Secure Top Bracket (C) onto J-Channel Hinge (B) using 2x Flat-head Screws (E) and 2x Keps Nuts (F) as shown.



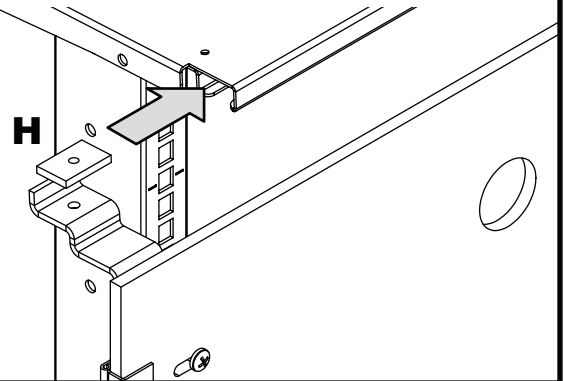
2 Secure Bottom Bracket (D) onto J-Channel Hinge (B) using 2x Flat-head Screws (E) and 2x Keps Nuts (F).



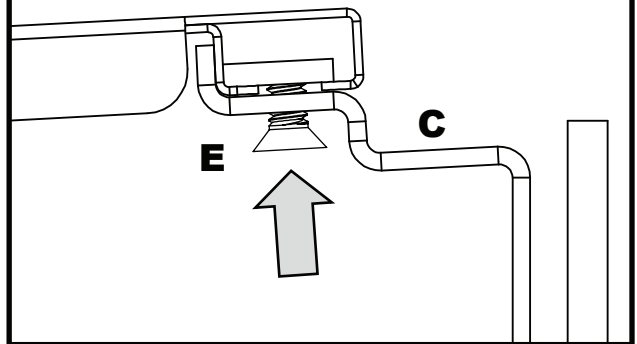
3 Install Top Bracket Assembly and Bottom Bracket Assembly onto Blockout Panel (A) using 4x 1/2" Screw (G).

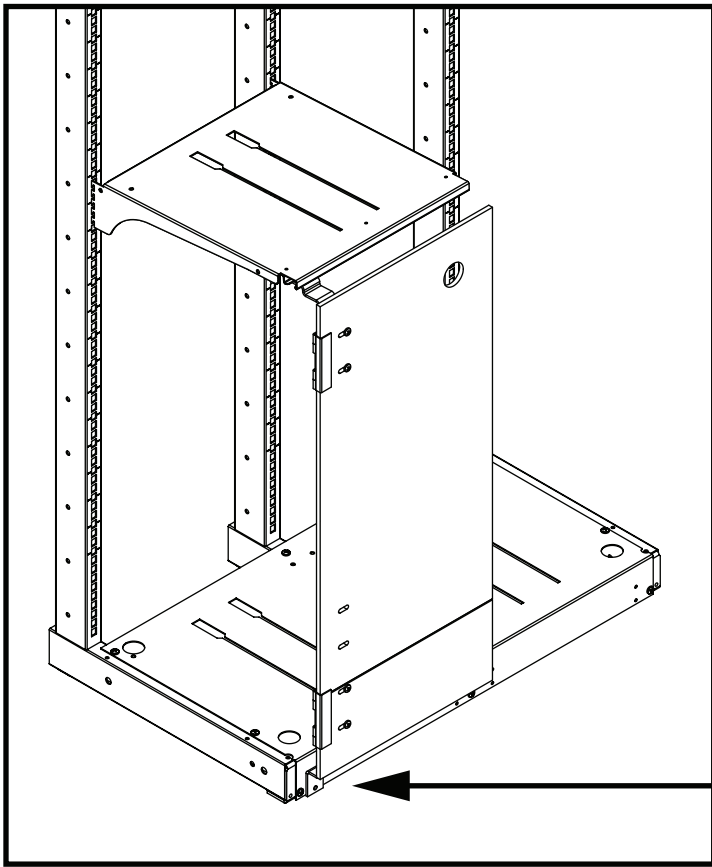


4 Slide Nut Plate (H) into shelf channel.

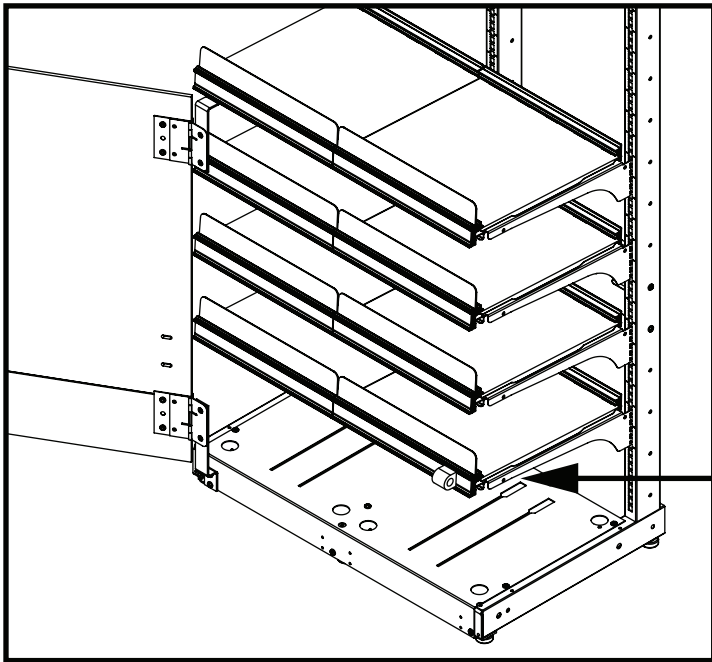
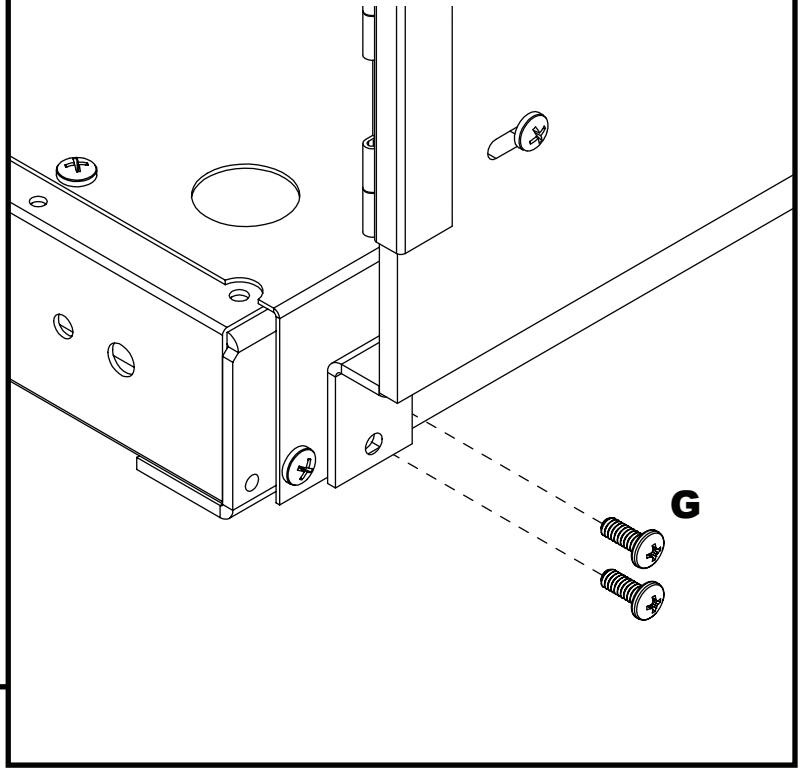


5 Thread Flat Head Screw (E) into Panel Bracket (C) and Nut Plate (H).





6 Secure Panel Bracket (C) onto Frame using 2x 1/2" Screw (G) as shown.



7 Open door and affix Bumper (I) onto available shelf channel behind door. (Bottom shelf shown as reference)

