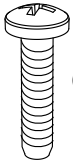


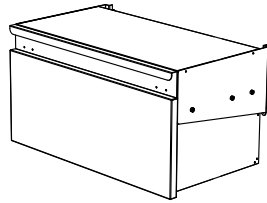


Contents:

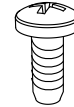
Questions? Call 1-800-704-3660



(2) Securing screws
10-24x1"

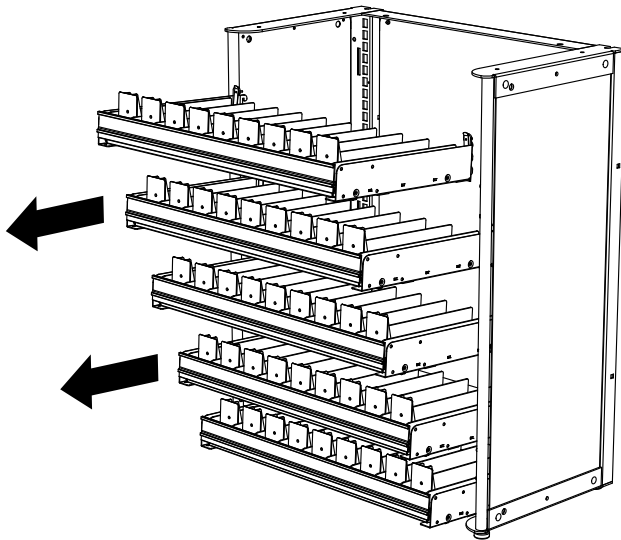


(1) Security drawer

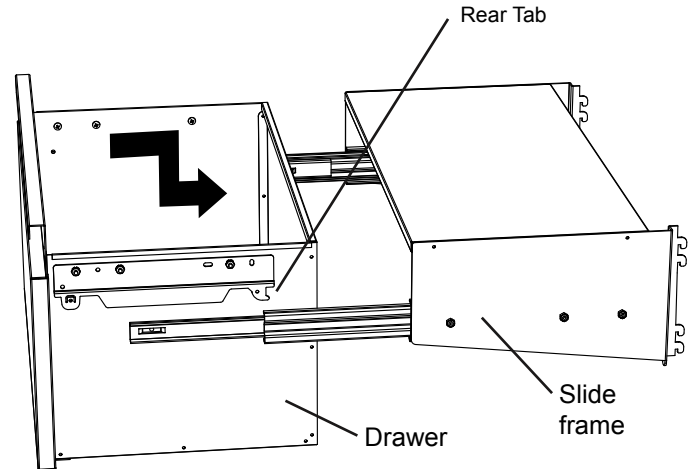


(2) Set screws
10 x 3/8"

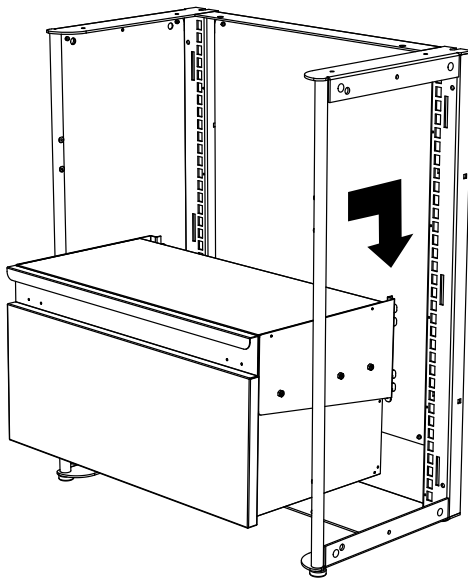
Note: Drawer ships in (2) pieces



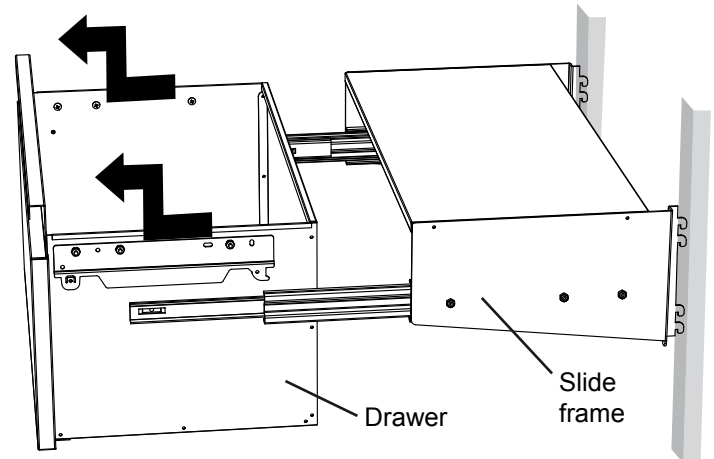
1. Remove shelves from fixture.



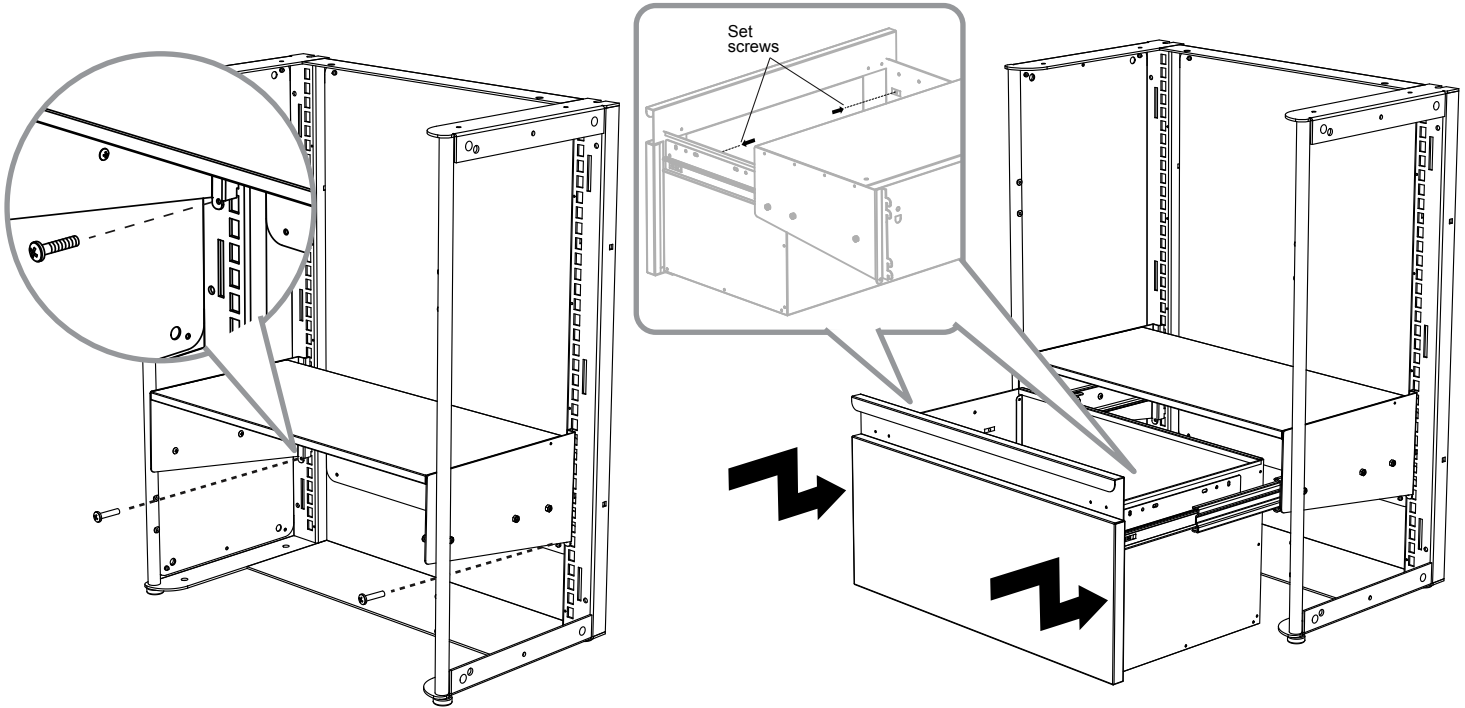
2. Pull out slide arms and drop rear tabs on drawer into slots on the slide arms. Rotate down and push drawer in. (Do not install Set Screws)



3. Install drawer cabinet as low as possible in frame.



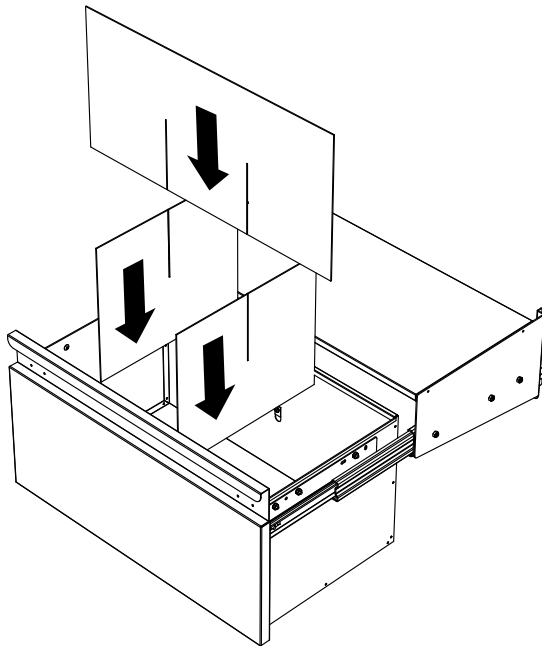
4. Once drawer has been set in proper location, remove drawer leaving the top support in place.



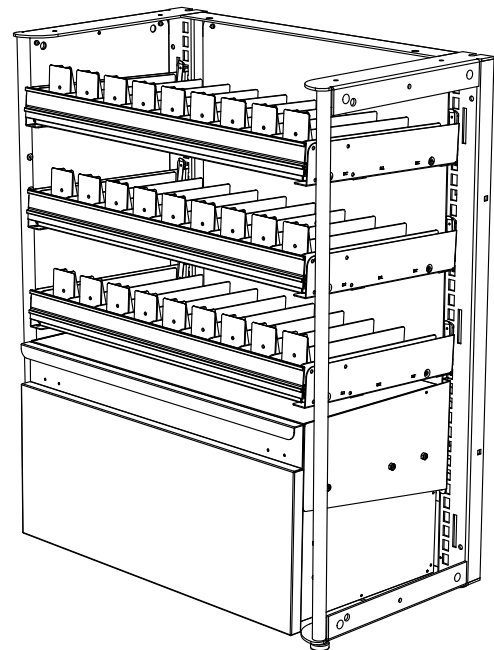
5. Install (2) securing screws.

6. Re-install drawer. Install (2) set screws from front inside of drawer assembly.

Warning: Failure to install screws results in an unsafe condition in which the drawer cabinet could fall out and cause injury.



7. Install product dividers.



8. Re-install shelves. Note: If installing more than (1) drawer, see "**2-Drawer Security Cable**" instruction sheet located in back of drawer. Do not install more than (2) drawers per fixture.