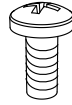
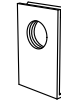


**Warning: Do not install more than (2) drawers per fixture. Failure to install security cable results in a condition in which both drawers could be opened simultaneously, tipping fixture and causing injury.**

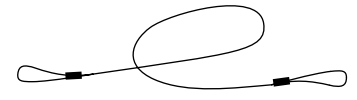
Contents:



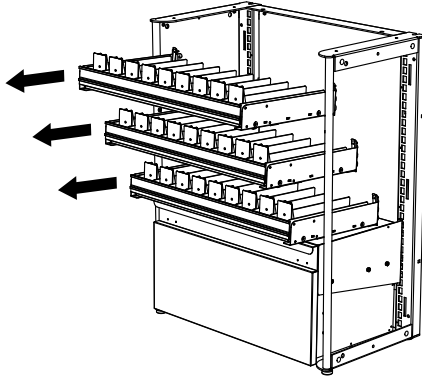
(2) Cable screws



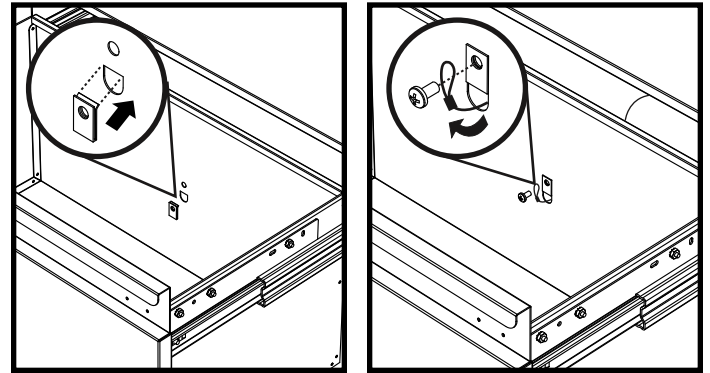
(2) Screw clips



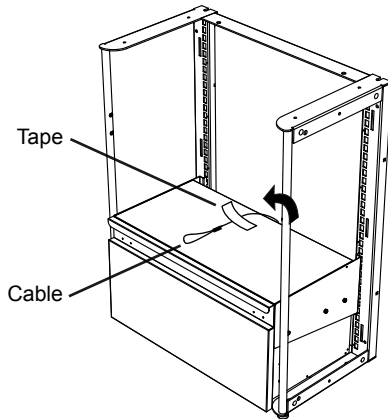
(1) Security cable



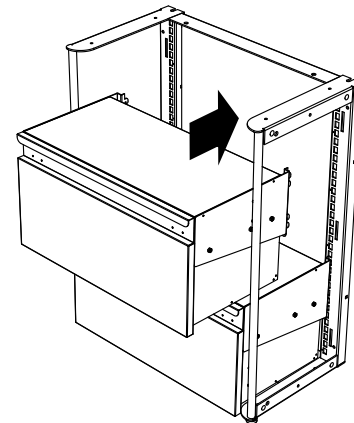
**1. Remove shelves as needed.**



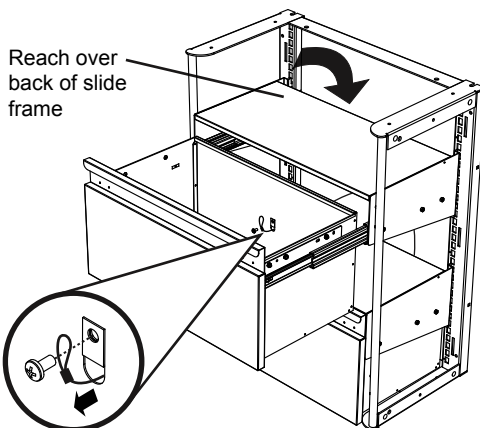
**2. Open drawer, install screw clip. Thread cable through back of drawer and secure with screw.**



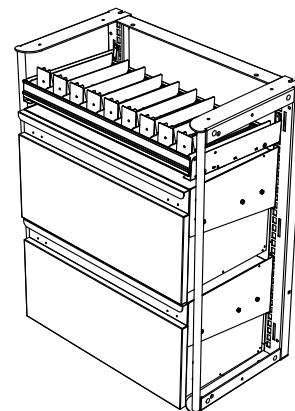
**3. Close drawer, temporarily secure cable to top of drawer assembly with tape (not supplied).**



**4. Install new drawer assembly (see instruction sheet "Drawer Cabinet - Metal").**



**5. Open upper drawer. Reach over top of slide frame, grasp cable and thread through back of upper drawer, securing with screw.**



**6. Re-install shelf.**