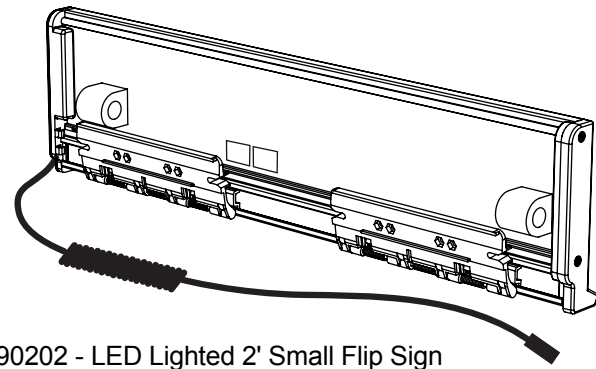
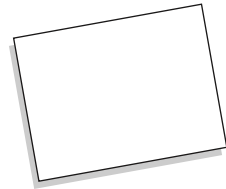


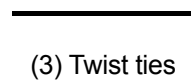
2ft Sign Kit Contents:



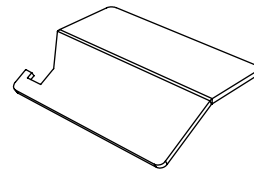
(1) 90202 - LED Lighted 2' Small Flip Sign
 (approx. dims: 23¹/₈"wd. x 6"ht. x 1³/₄"dp.)



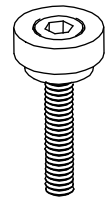
(1) Instruction sheet



(3) Twist ties



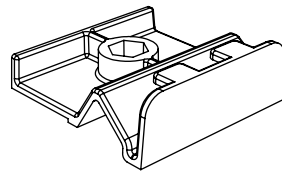
(2) Hold-open plates



(2) Thumb screws



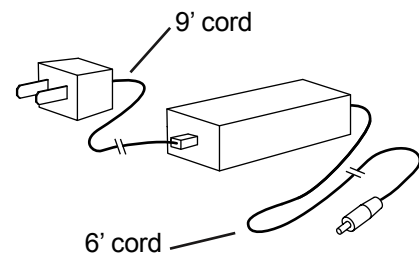
(2) Nuts



(2) Shelf adapters

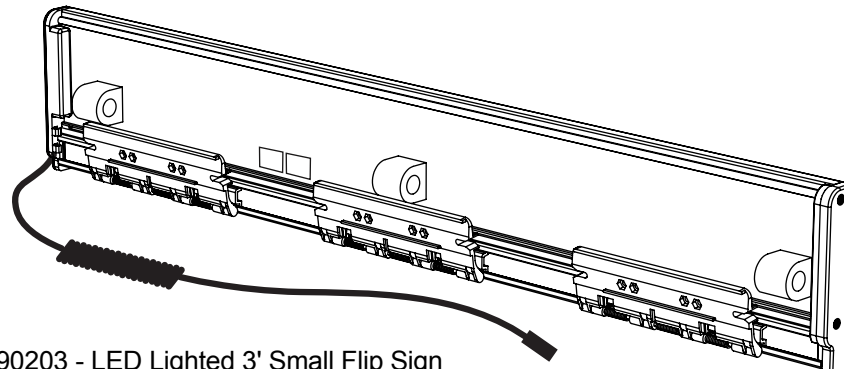
(2) Bags

(2) Bags

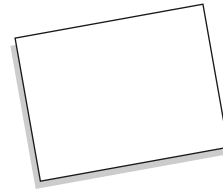


LED Lighted Flip Sign Transformer

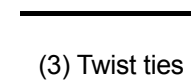
3ft Sign Kit Contents:



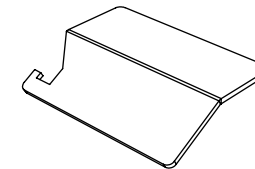
(1) 90203 - LED Lighted 3' Small Flip Sign
 (approx. dims: 35"wd. x 6"ht. x 1³/₄"dp.)



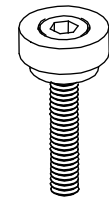
(1) Instruction sheet



(3) Twist ties



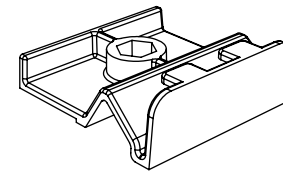
(3) Hold-open plates



(2) Thumb screws



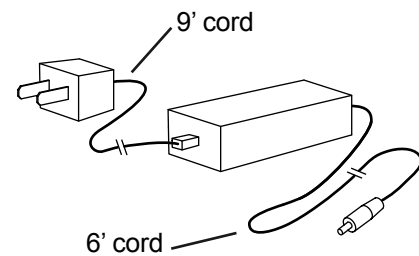
(2) Nuts



(2) Shelf adapters

(3) Bags

(3) Bags



LED Lighted Flip Sign Transformer

Kit Contents and Installation Overview . . . Page 1
 Shelf Installation Page 2
 Power Cord Installation / Electrical Specs. Page 3
 Graphic Installation Page 4


Installation Overview:

1. Ensure all contents are present.
2. Install LED flip-down sign using hardware.
3. Route and secure power cord.
4. Install graphics.
5. See Page 3 for electrical specs and requirements.

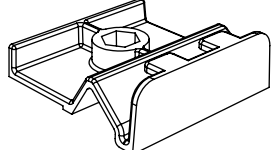
This sign is intended to be installed in accordance with the requirements of Article 600 of the NEC and/or other applicable local codes. This includes proper grounding and bonding of the sign.

Installation Sequence for Wood or Metal Shelf

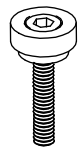
Use this hardware:



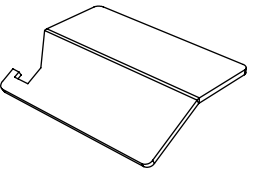
2ft Sign: (4) Nuts
3ft Sign: (6) Nuts



2ft Sign: (4) Shelf adapters
3ft Sign: (6) Shelf adapters



2ft Sign: (4) Thumb screws
3ft Sign: (6) Thumb screws



2ft Sign: (2) Hold-open plates
3ft Sign: (3) Hold-open plates

A Pre-assemble (2) shelf adapters per hinge by inserting (1) nut and (1) thumb screw per adapter, as shown. **Note:** Insert thumb screw so that it is flush with top of nut.

Insert thumb screw so that it is flush with top of nut down inside adapter

B Clip (2) adapters per hinge onto underside of front shelf support, as shown.

Position shelf clips to the side in order to make room for hinge placement

C Prop open flip-down sign hinges with (1) hold-open plate per hinge, as shown.

Insert hold-open plate between these two ribs

D Holding sign in place, slide thumb screws into notches on outside of hinges, as shown. Position sign as desired left-right and tighten thumb screws.

E Remove all hold-open plates from sign hinges.

Underside of shelf

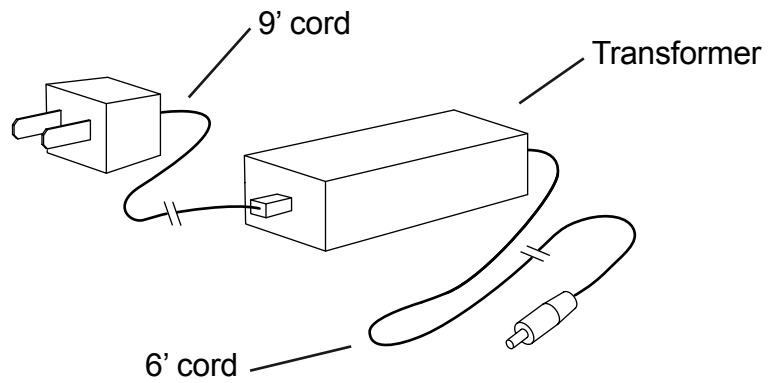
SNAP!

Next steps

- Route power cords (**Page 3**)
- Install graphics (**Page 4**)

Power Cord Installation

LED Lighted Flip Sign Transformer



Electrical Specs

12V DC	2' sign - 0.85A
	3' sign - 1.30A

Rear view of fixture

18" Flexible Cord

Barrel connector

Run cord down back of uprights and across backs of shelves

Use twist ties in locations shown

Transformer

Max load on transformer:
 (1) 3ft flip sign

120V
 9' Cord

- Generic shelf fixture shown. Installation details may differ for your application.
- Whenever possible, route all cords horizontally and vertically behind shelf fixture structure.

Flip sign

Pull cord straight, under light tension

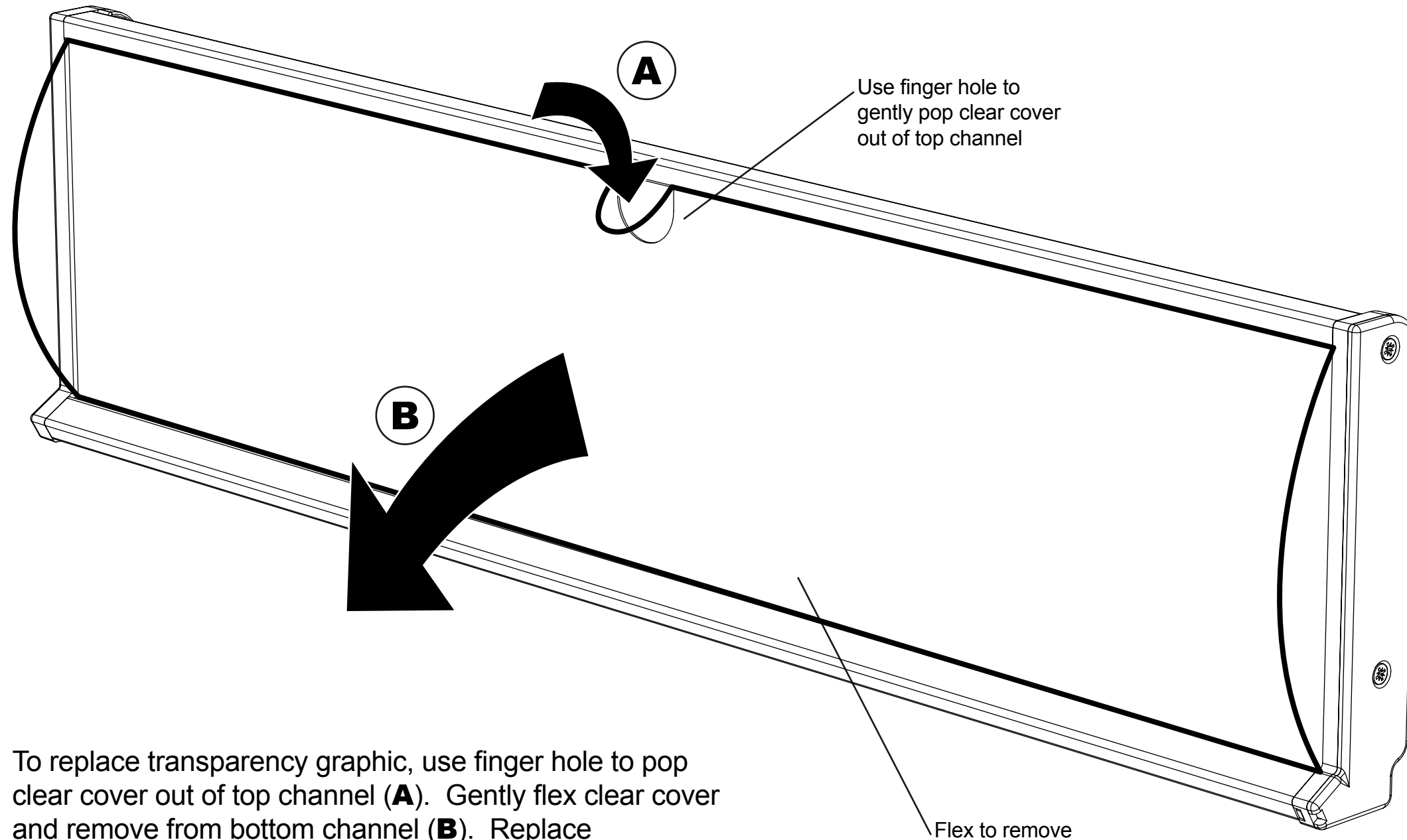
Use twist ties to secure cord to rear of shelf

Power cord

Barrel connector to transformer connector

Underside of typical shelf

Graphic Installation



To replace transparency graphic, use finger hole to pop clear cover out of top channel (**A**). Gently flex clear cover and remove from bottom channel (**B**). Replace transparency graphic and reinstall clear cover.