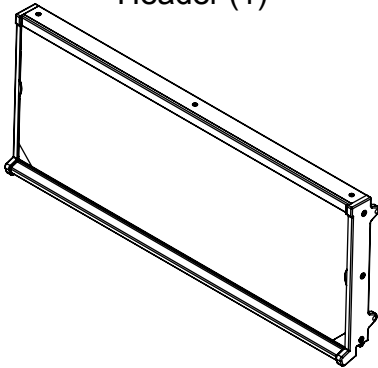


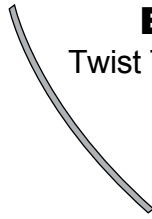


Contents:

A
 Header (1)



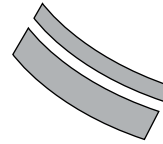
B
 Twist Tie (6)



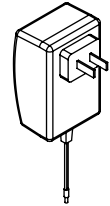
C
 Push Pin (2)



D
 Vinyl Strips (2)

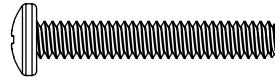


G
 Power Supply (1)



Header Joining Hardware Kit Item# 370520:

E
 #10-24 Phil Pan Head (2)



F
 #10-24 Keps Nuts (2)

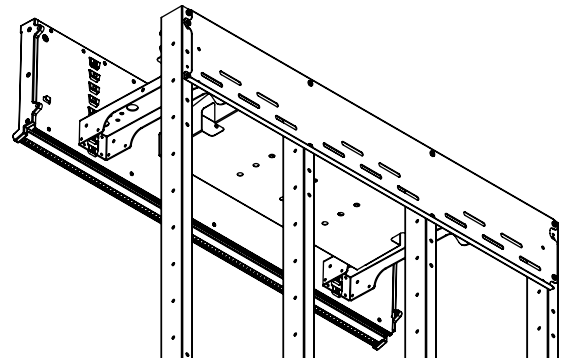
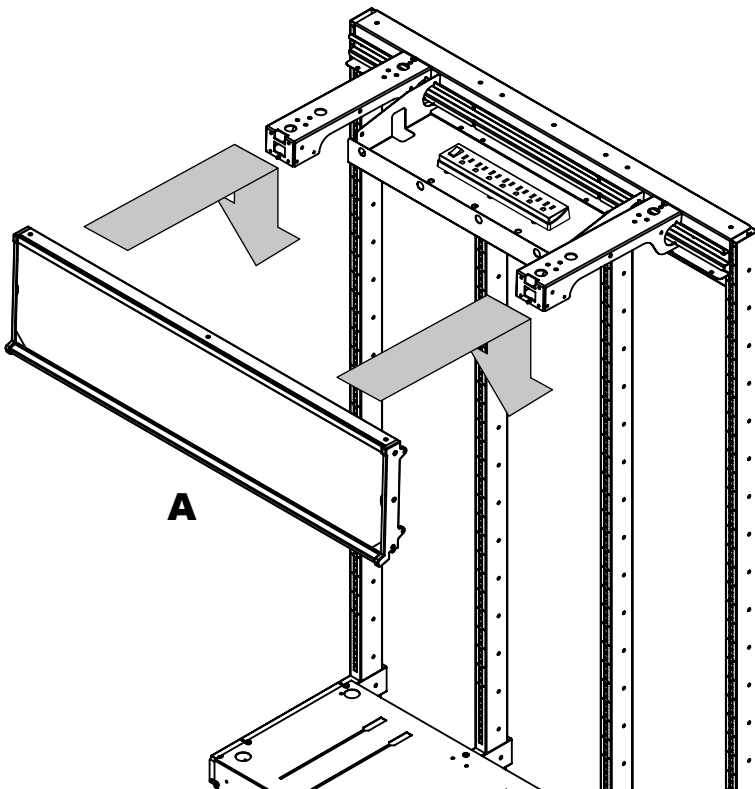


⚠ WARNING

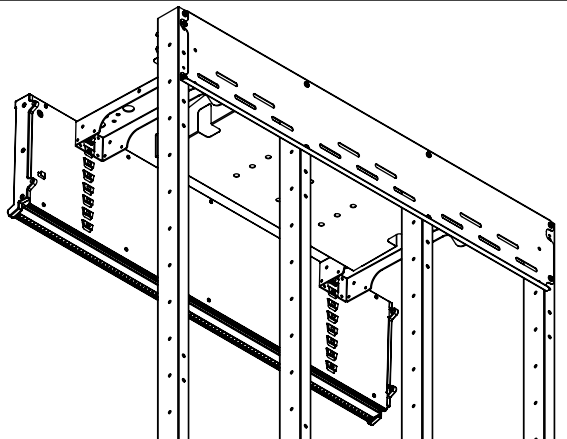
Unplug and turn off power before installing or servicing. Failure to secure header results in an unsafe condition in which the light header could be knocked off the metal display, resulting in injury. This sign is intended to be installed in accordance with the requirements of Article 600 of the NEC and/or other applicable local codes. This includes proper grounding and bonding of the sign. Dry location installation only.

IMPACT! Fixture Installation shown. For Classic Display Installation, see page 4

- 1 Position Header Support Arms in appropriate location for designated LED Header (3' shown). Install Header (A) onto Support Arms.

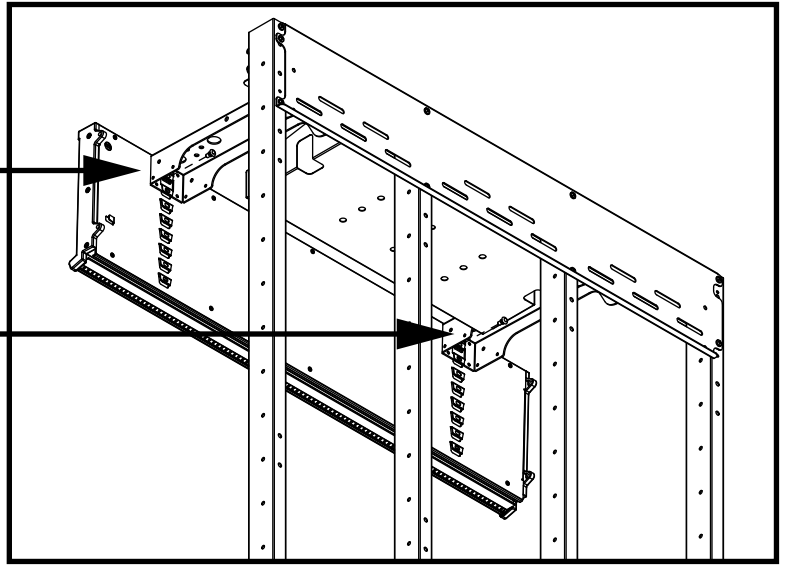
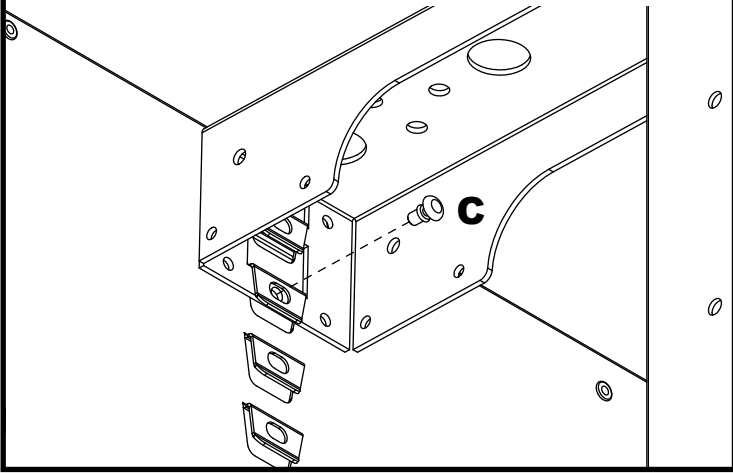


⚠ Highest height configuration.

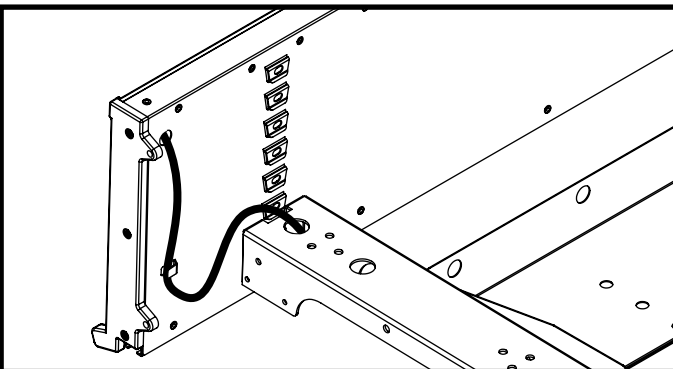
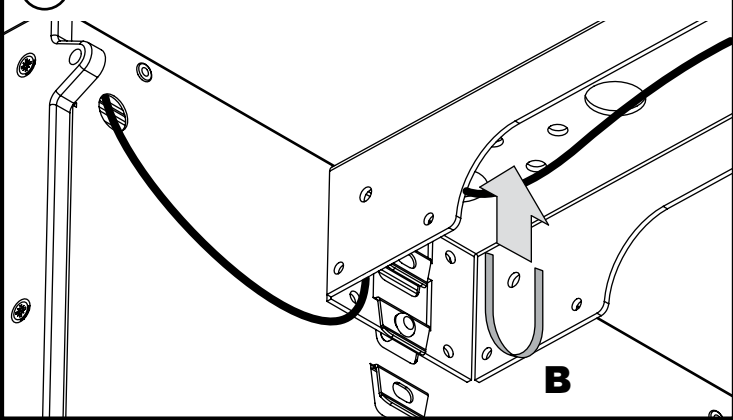


⚠ Lowest height configuration.

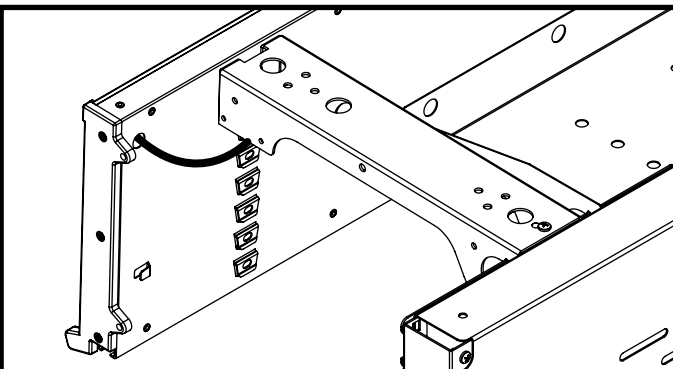
2 Secure Header onto Support Arms using 2x Push Pins (C) as shown.



3 Secure cord using Twist Ties (B) as shown.

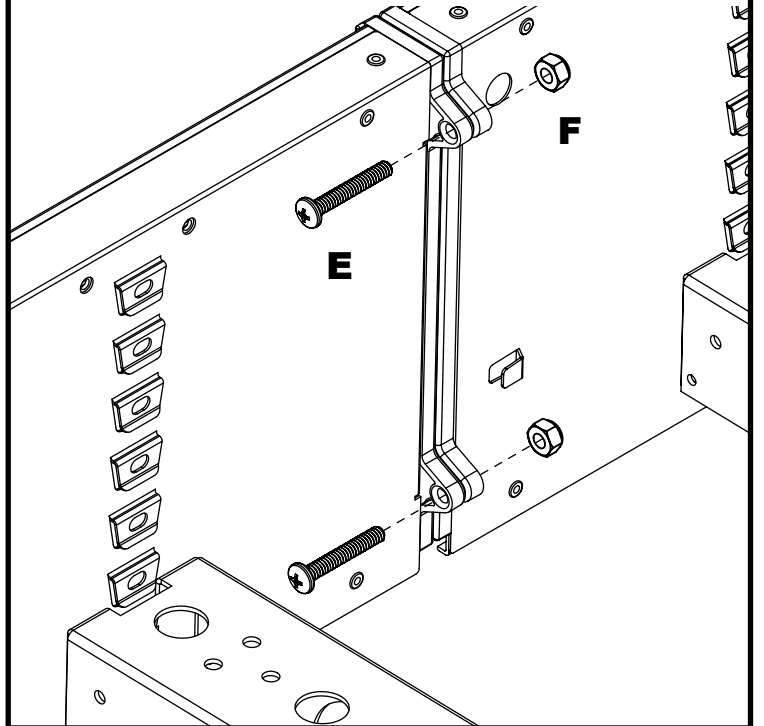


A Highest height configuration.



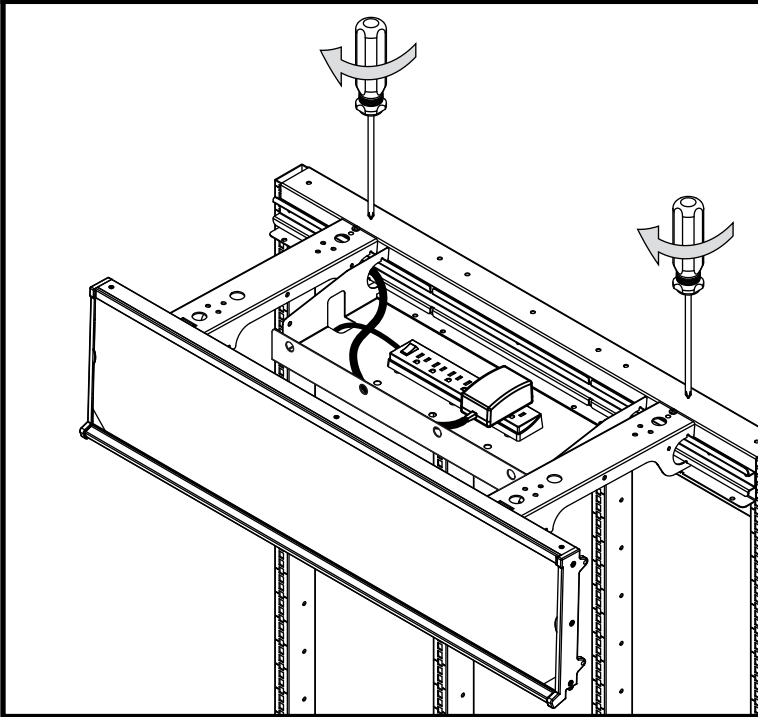
A Lowest height configuration.

5 With multiple header assemblies, secure adjacent sign frames using 2x #10-24 Phil Pan Head (E) and 2x #10-24 Lock Nut (F).

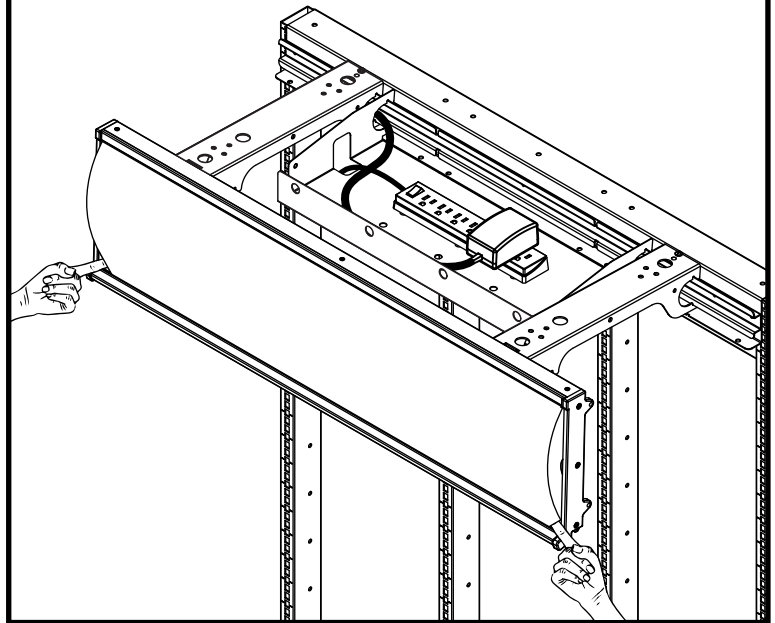


- ⑥ Tighten Header Support Arms with 1" Screws (included with Support Arms).

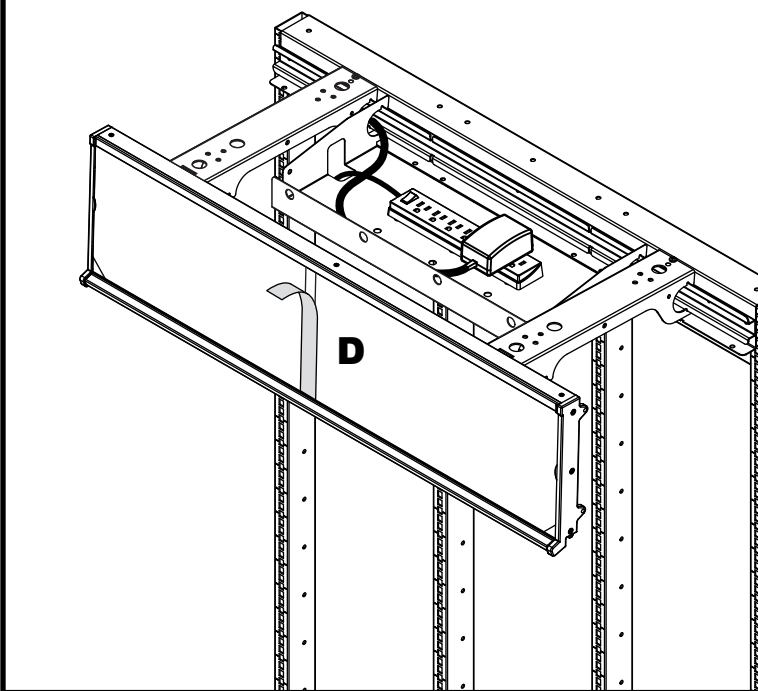
NOTE: Only secure after all headers are installed.



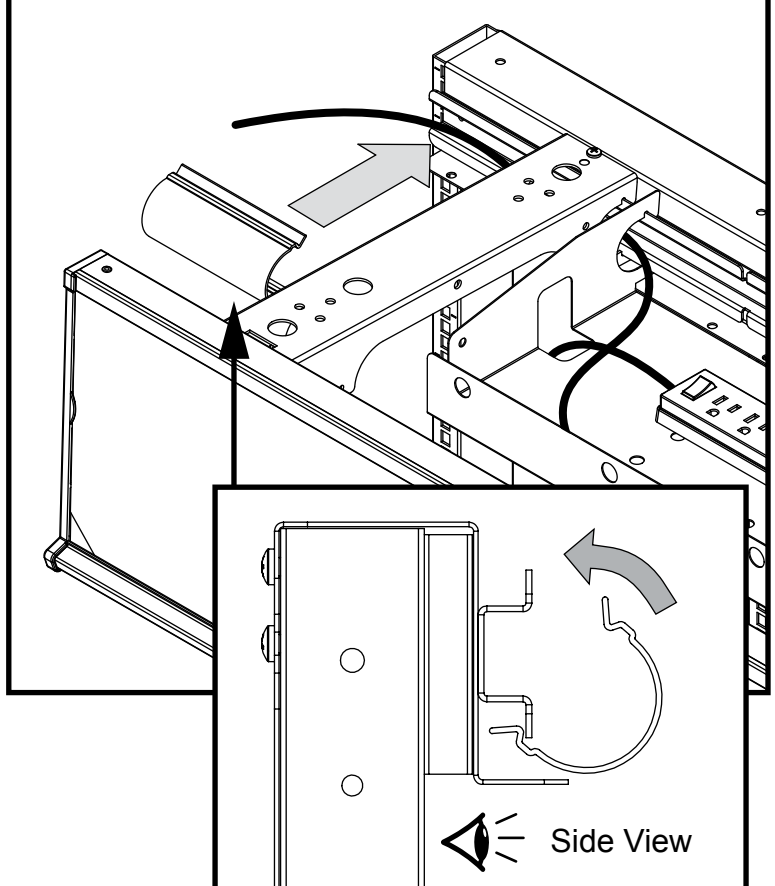
- ⑦ To install or replace graphic, lift and remove clear panel from corners as shown. Remove protective film from clear panel. Place graphic, and reinstall panel.



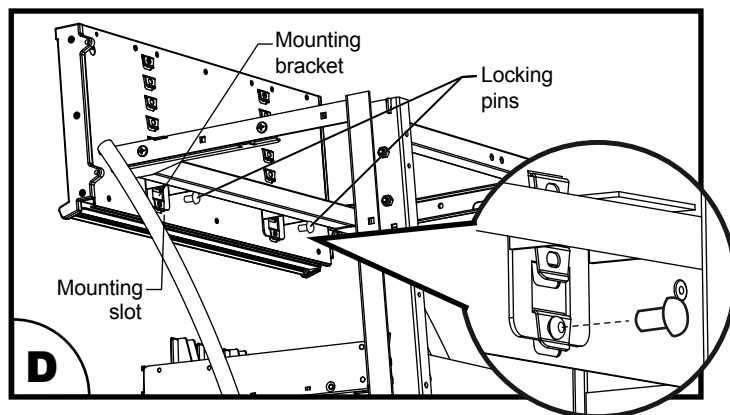
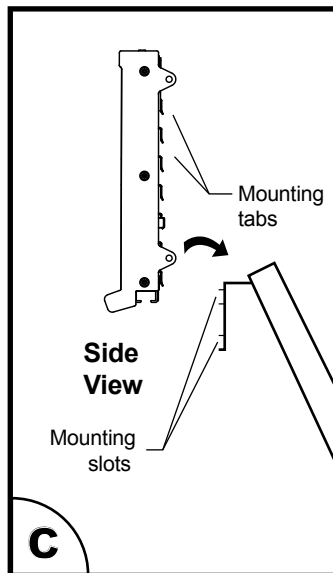
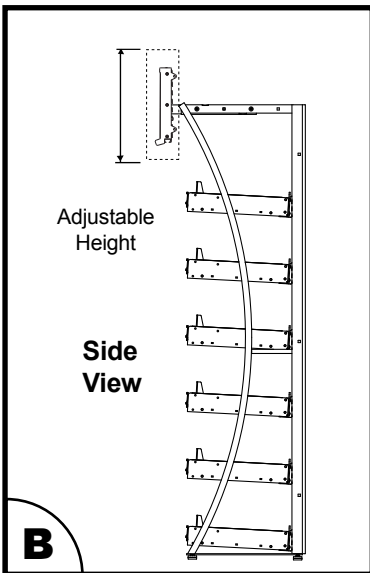
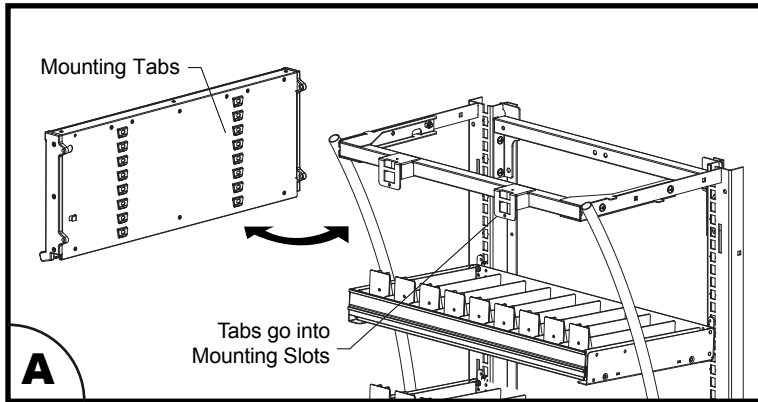
- ⑧ When header has multiple graphics required, install graphic and apply vinyl strips (D) to plastic cover over graphic seam. Use narrowest vinyl strip possible.



- ⑨ After routing power strip, header cords, and other applicable power cords, install cord covers.



Classic Display Installation



3. Secure the light fixture onto the metal fixture by pushing the locking pins (2) through the holes in the mounting tabs and into the mounting bracket. Do this on both mounting brackets (Fig. D). Route power cord and secure with supplied cable ties and cord clips (see "Power Cord Routing" installation sheet).

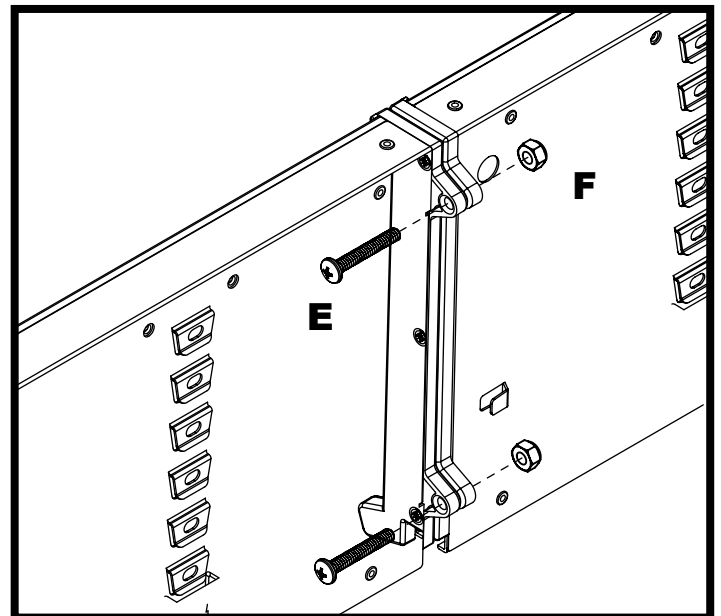
Warning: Unplug and turn off power before installing or servicing.

Warning: Do not overtighten cable ties. This will damage power cord insulation.

1. Determine desired position for light to be mounted on metal fixture. Light can be adjusted up and down by selecting which mounting tabs are used (Fig. B & C). **Note: Normal setting is in the highest position.**

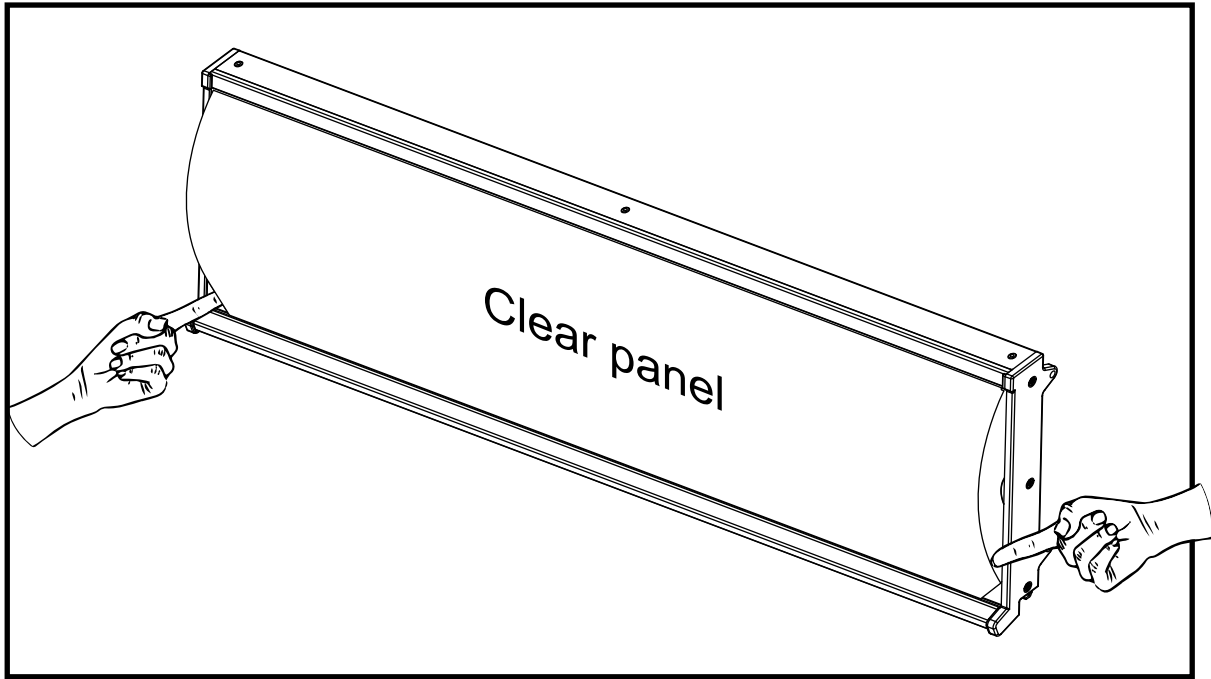
2. Hang the light on the metal fixture by engaging the selected light fixture mounting tabs in the mounting slots located on the metal fixture (Figs. A & C).

Warning: Failure to secure header results in an unsafe condition in which the light fixture could be knocked off the metal fixture resulting in injury.



4. With multiple header assemblies, secure adjacent sign frames using 2x #10-24 Phil Pan Head (E) and 2x #10-24 Lock Nut (F).

Classic Display Installation



5. To install or replace graphic, lift and remove clear panel from corners as shown. Remove protective film from clear panel. Place graphic, and reinstall panel. When header has multiple graphics required, install graphic and apply vinyl strips (**D**) to plastic cover over graphic seam. Use narrowest vinyl strip possible.

