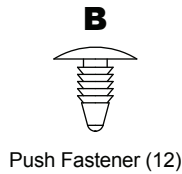
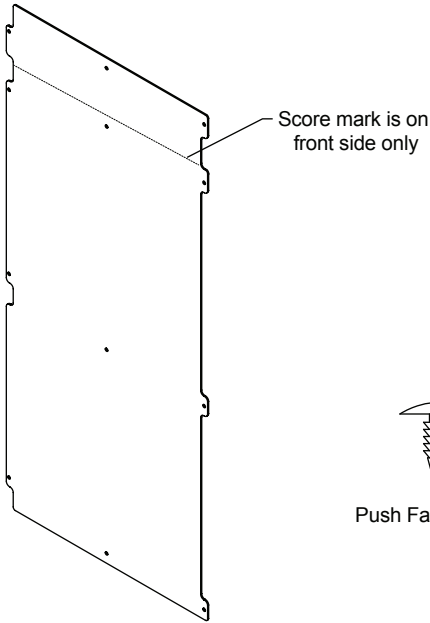




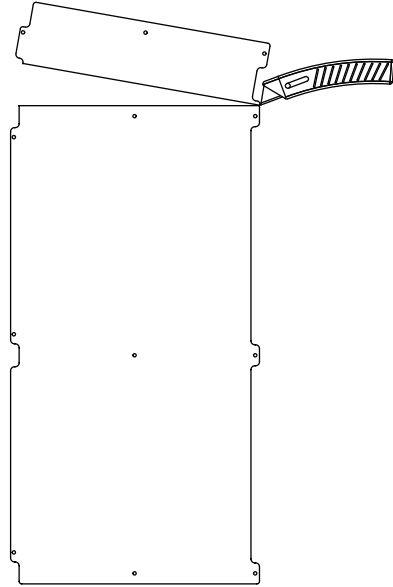
Contents:

A
 1' or 2'
 Back Panel (1)

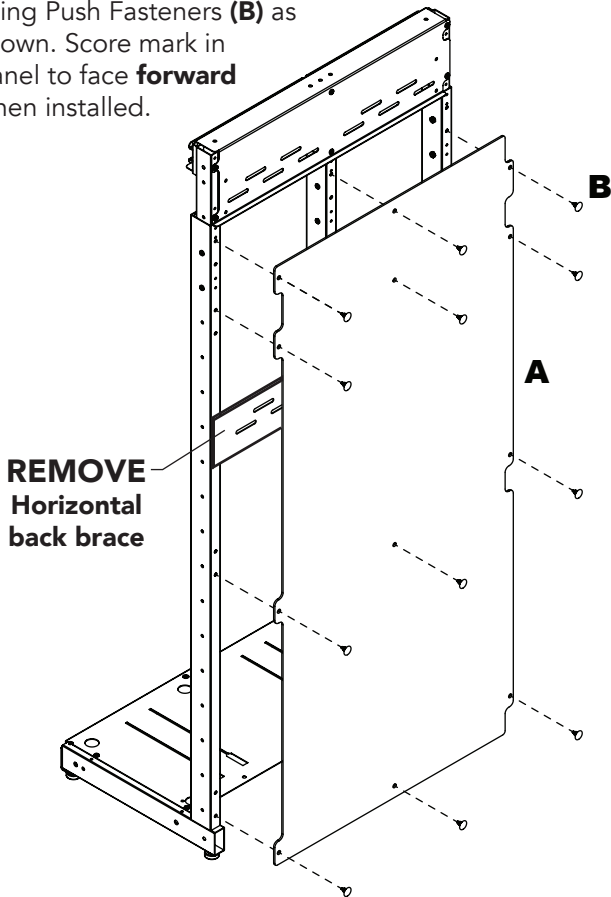


▲ OPTIONAL

If 55" fixture is required, cut along score on Back Panel as shown before securing to uprights.



1. Prior to installation of Back Panel (**A**) onto frame, remove Horizontal Back Braces. Secure Back Panel using Push Fasteners (**B**) as shown. Score mark in panel to face **forward** when installed.



2. For larger frame assemblies, piece together multiple Back Panels (**A**) as shown.

