



Contents:

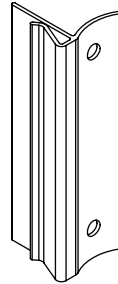


A
Back Panel (1)

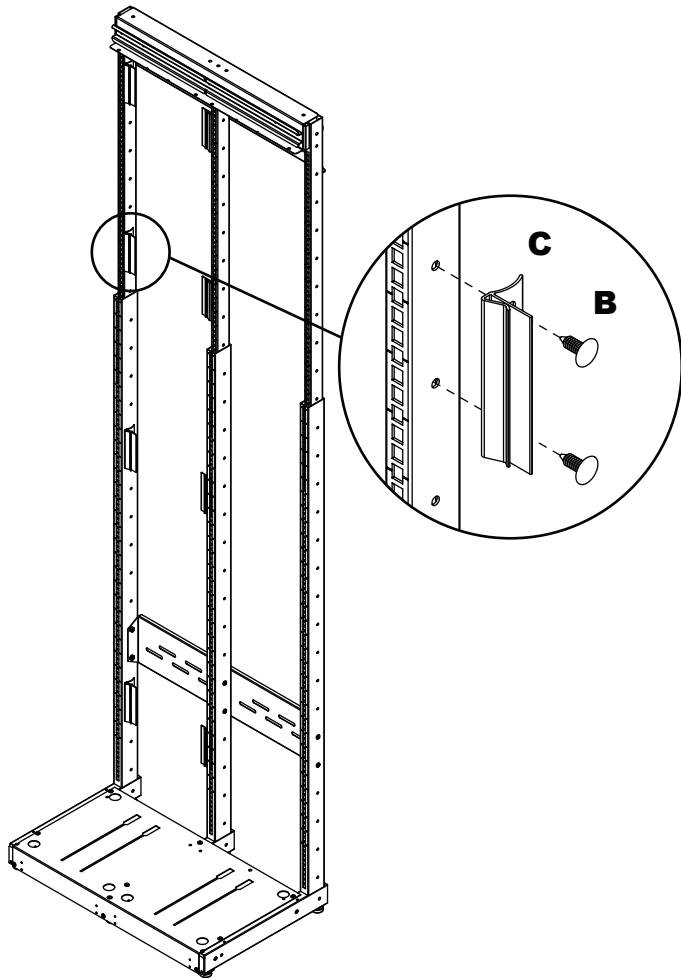
B
Push Fastener (16)



C
Bracket (8)



1. Install 8x Bracket (**C**) onto frame. Secure using 16x Push Fasteners (**B**) as shown.



2. Install Back Panel (**A**) into Brackets (**C**). Slightly bend Back Panel to slide into Brackets.

