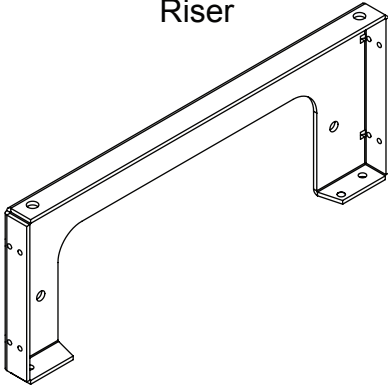


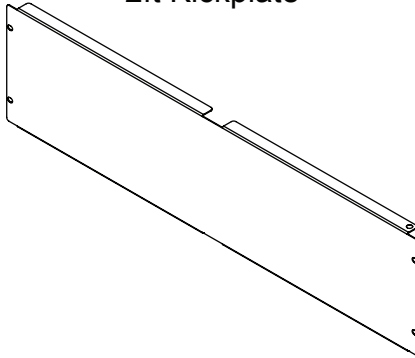


Contents:

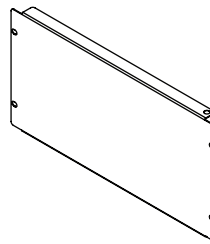
A
Riser



B
2ft Kickplate

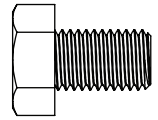


C
1ft Kickplate



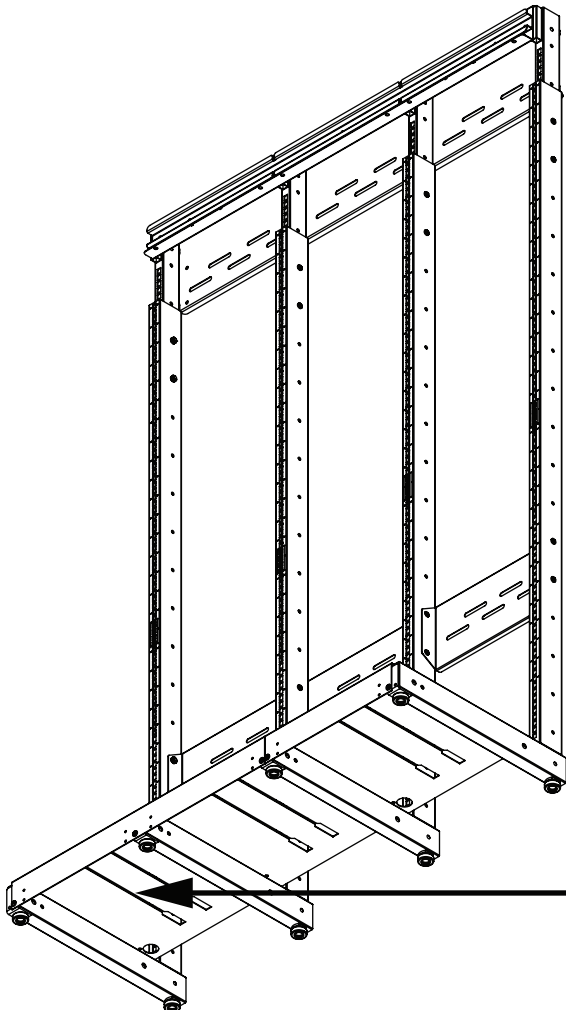
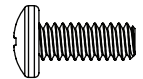
Item# 37035:
Riser Hardware Kit

D
(2) 5/16" x 1/2 Bolt

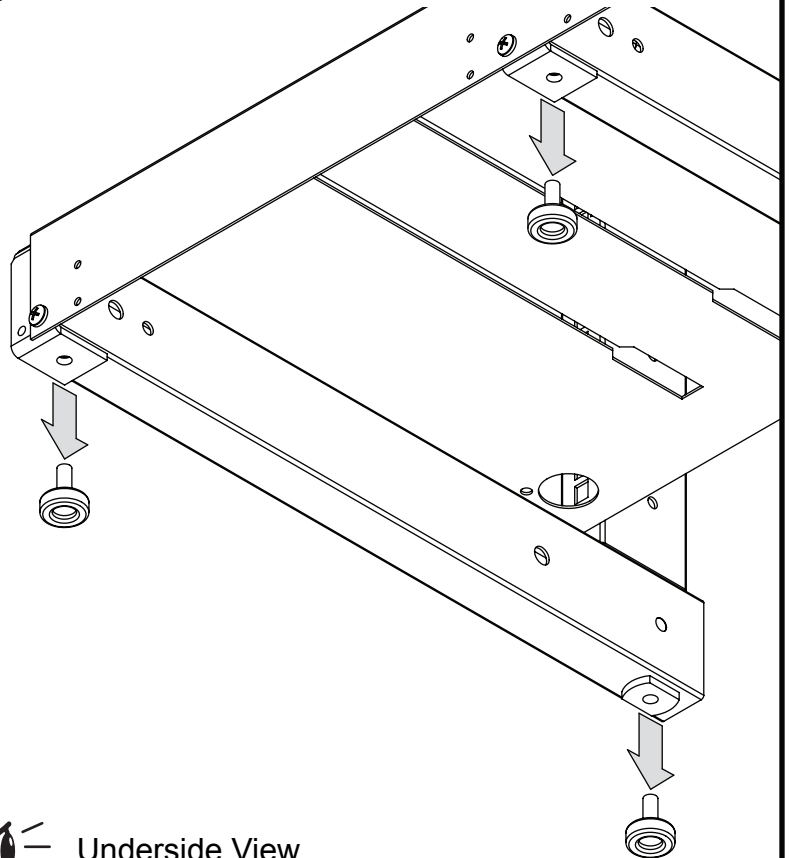



Item# 37040:
Kick Plate Hardware Kit

E
(5) #10 x 1/2" Screw

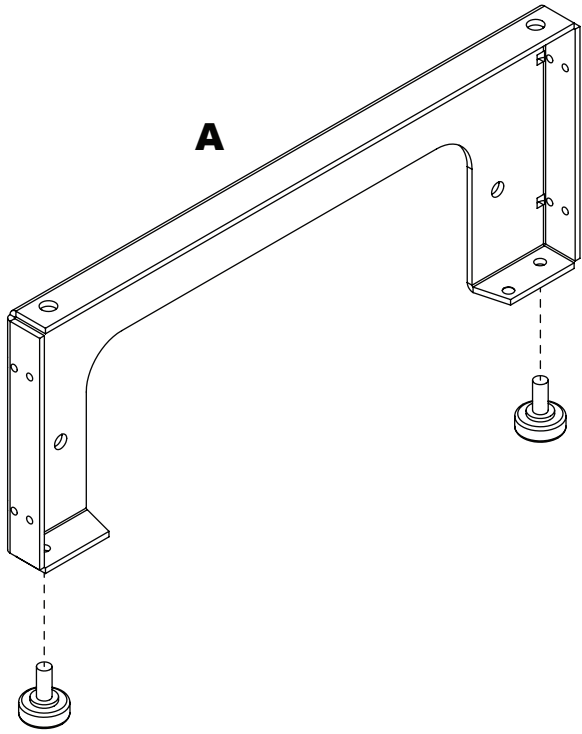


1 Remove Levelers from Frame.



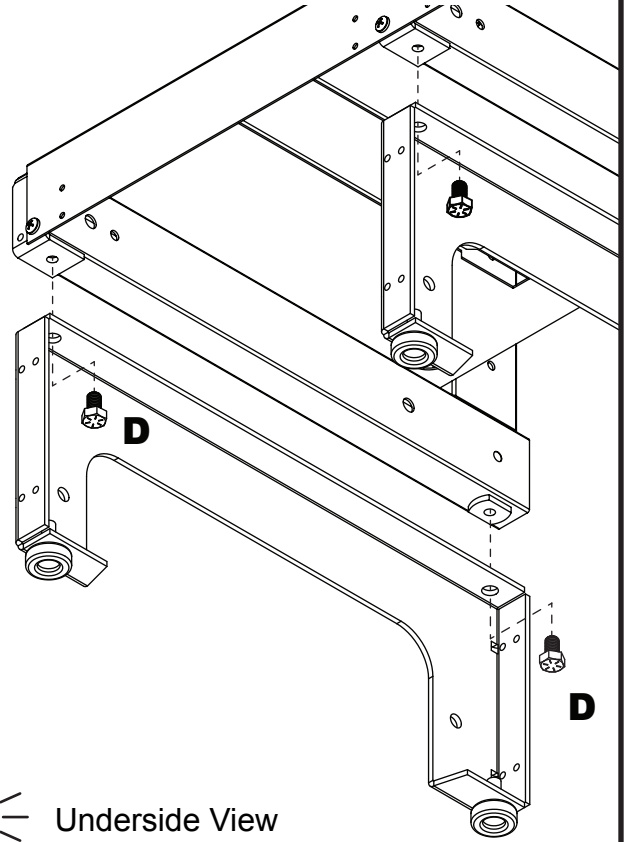
 Underside View

② Install Levelers onto Riser (A) as shown.



Topside View

③ Secure Riser (A) to Frame with 5/16" x 1/2 bolts (D).



Underside View

④ Secure Kickplate (B or C) to Riser with #10 x 1/2 screws (E).

