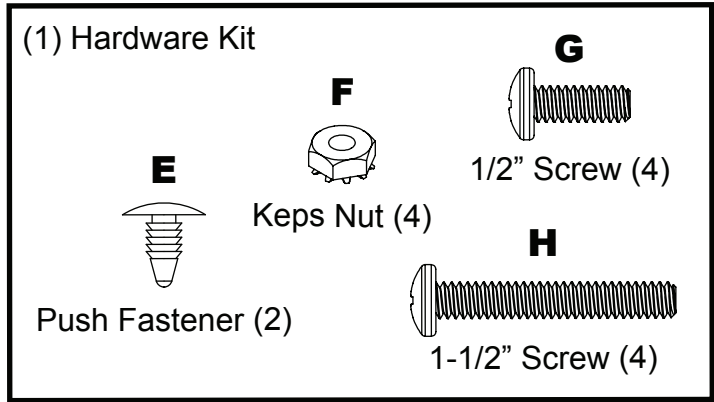
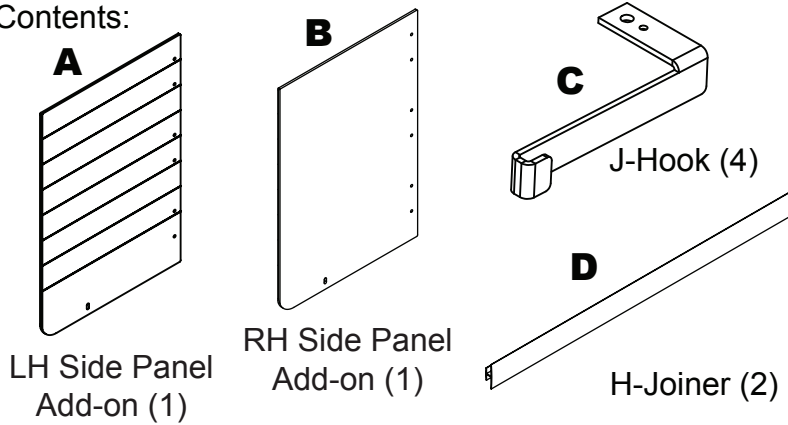




Contents:

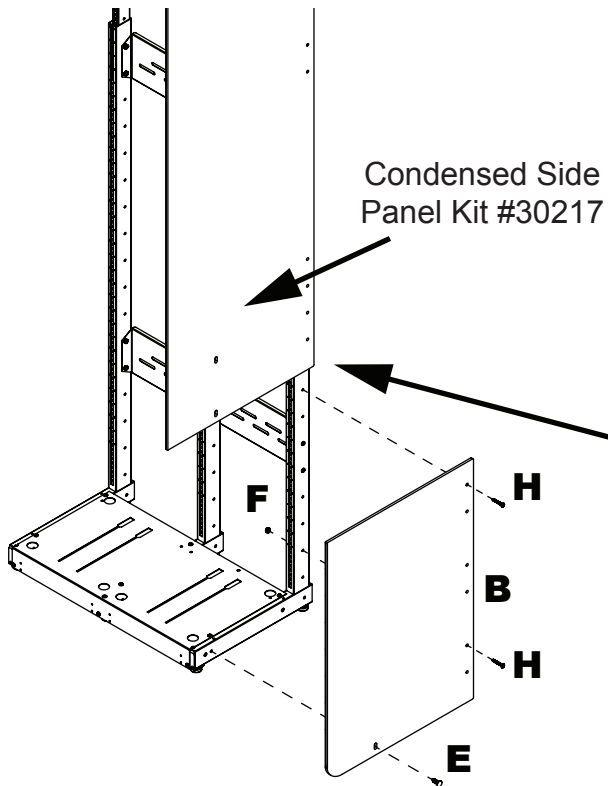


⚠ WARNING

Add-on Kit is designed to be installed with Condensed Side Panel Kit #30217. Install Condensed Side Panel Kit #30217 before continuing with Installation.

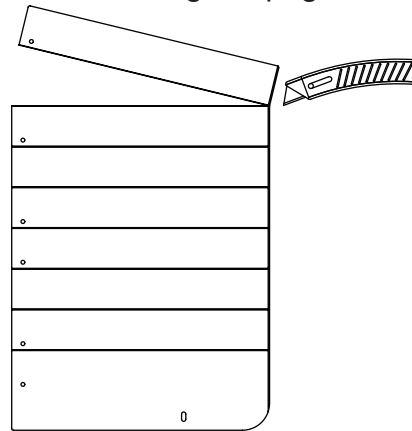
NOTE: Do not fully tighten any screws and nuts until last step.

1 Secure Side Panel Add-on (**B**) & (**A**) (grooves face inward) with 1-1/2" Screws (**H**), Keps Nuts (**F**), and Push Fastener (**E**).

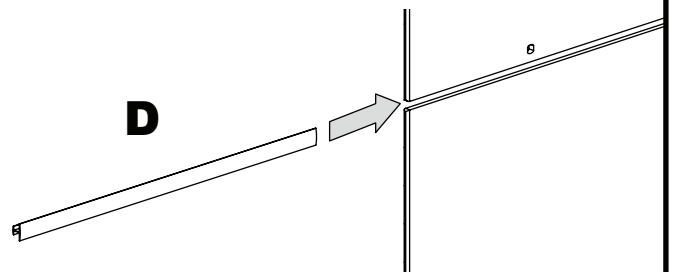


⚠ OPTIONAL

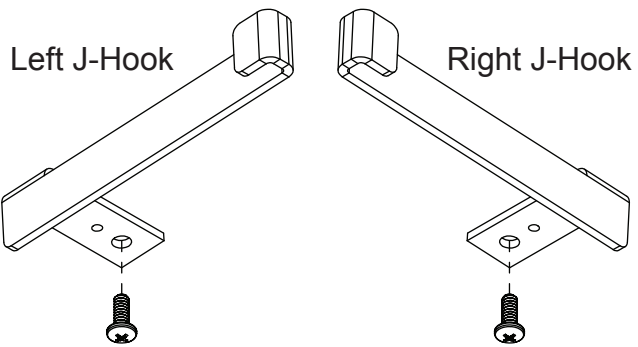
Cut along score on Side Panel Add-on to achieve desired height before securing to uprights.



2 Slide H-Joiner (**D**) between Side Panel Item#30217 and Side Panel Add-on (**A**) or (**B**).

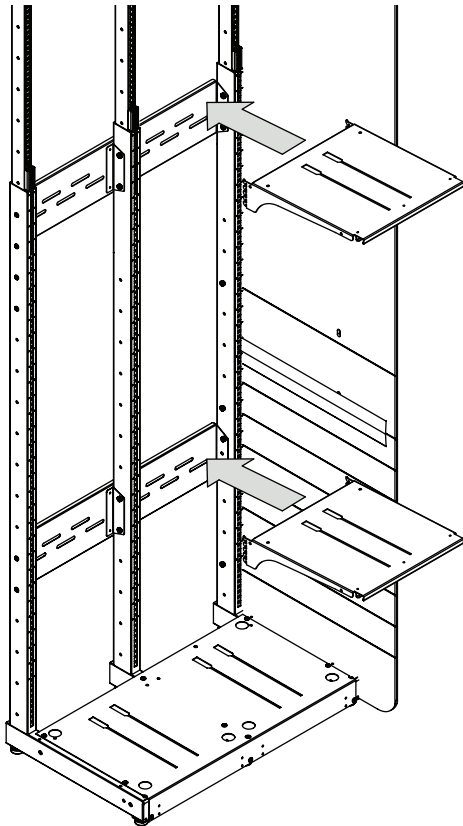


- ③ Loosely pre-install 1/2" Screw (G) to J-Hook (C) as shown. Do not fully tighten.

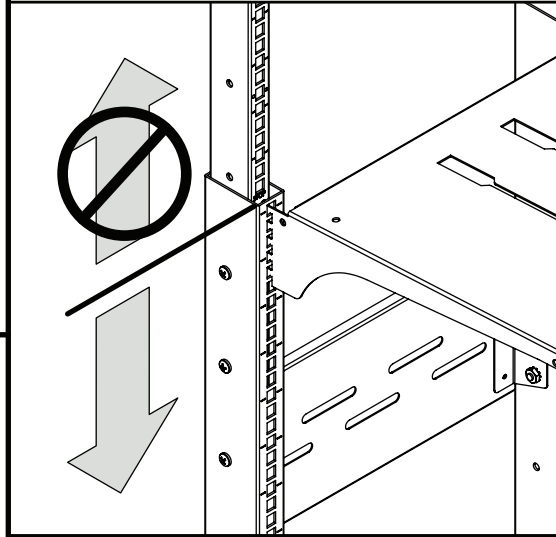


Underside View

- ④ Install shelf towards top of lower slotted upright, other lower on the add-on Panel.

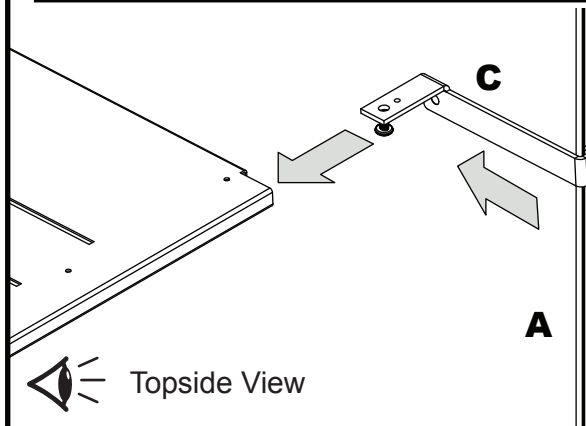


- ⚠ Do NOT install shelf or J-Hook above lower slotted upright.



- ⑤ Engage J-Hook (C) over Side Panel (A) or (B) and slide bracket tab into side of shelf channel. Tighten 1/2" Screw (G).

NOTE: Tighten all side panel screws and nuts.



Topside View