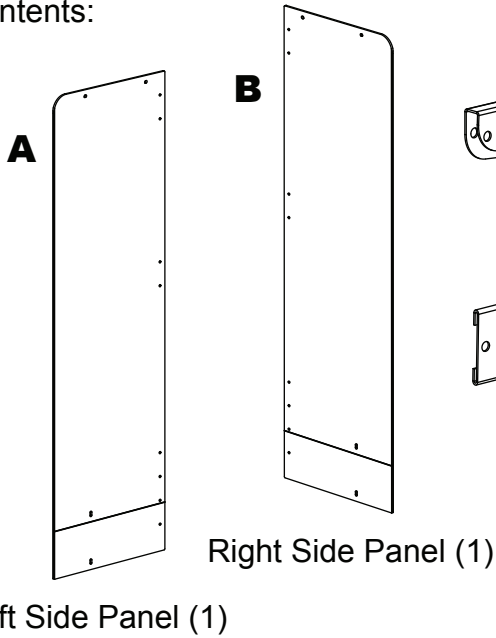
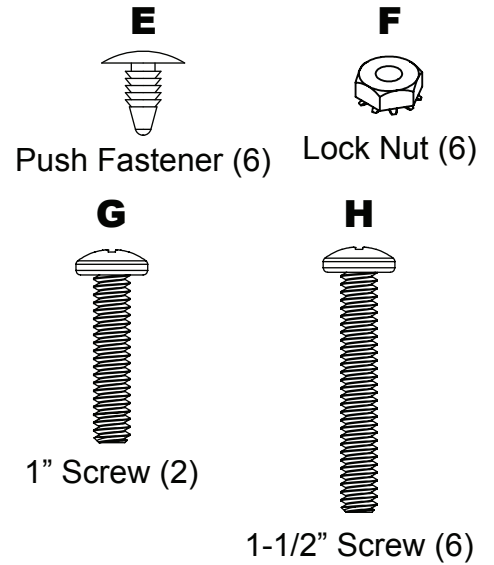




Contents:

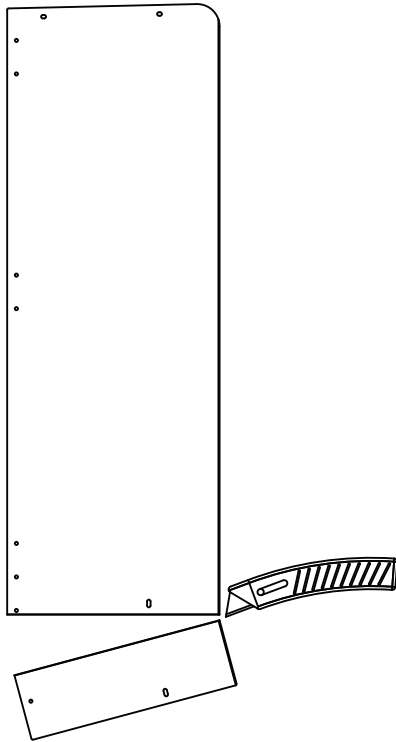


(1) Hardware Kit



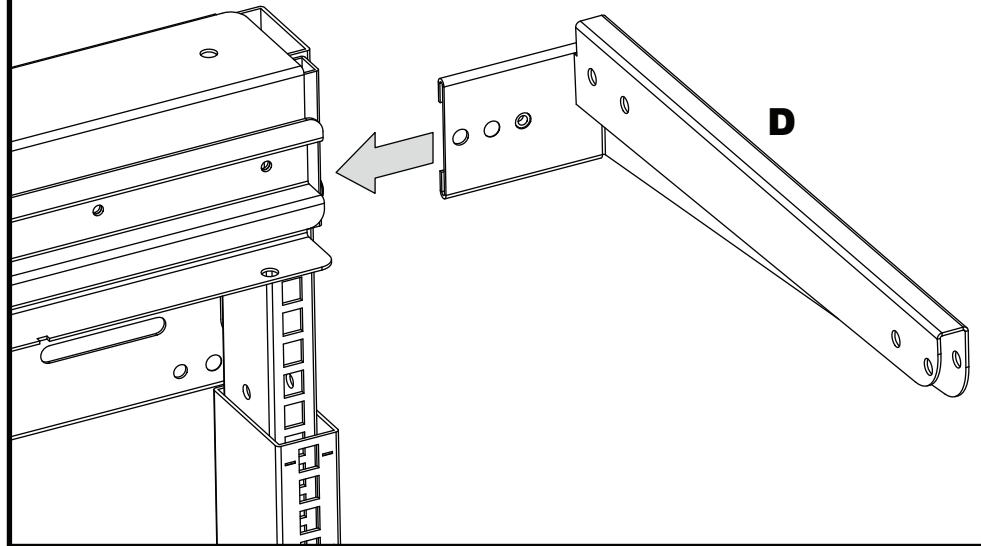
⚠ **OPTIONAL**

If 55" Low Profile display is required, cut along score on Side Panel as shown before securing to uprights.



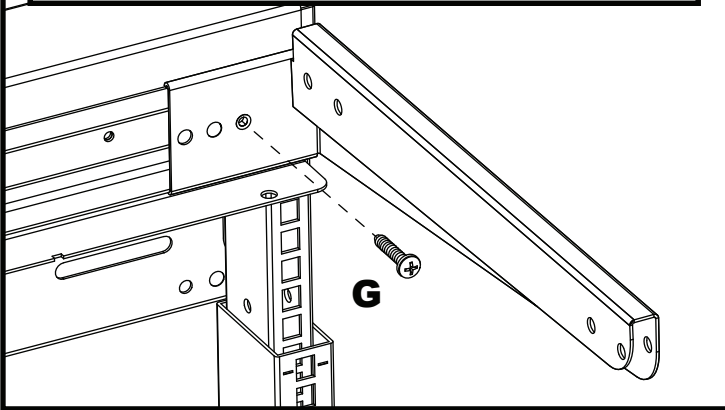
1 Install Right Bracket (**D**) onto channel.

⚠ **NOTE:** Outside of bracket should be flush with outside of upright.



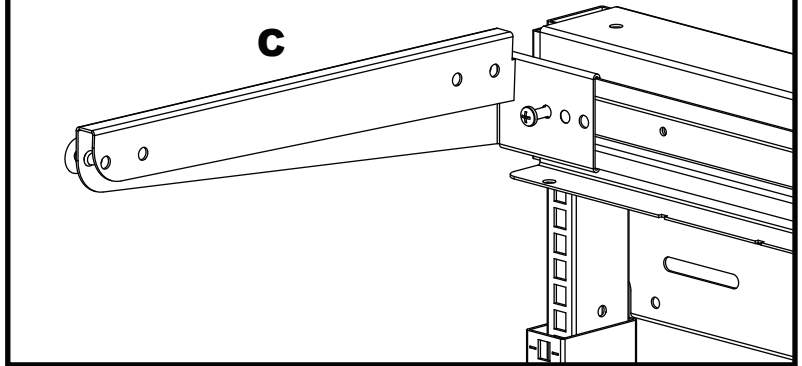
2 Secure using 1" screw (**G**).

▲ NOTE: If installing toppers, do not tighten screws until toppers are installed.

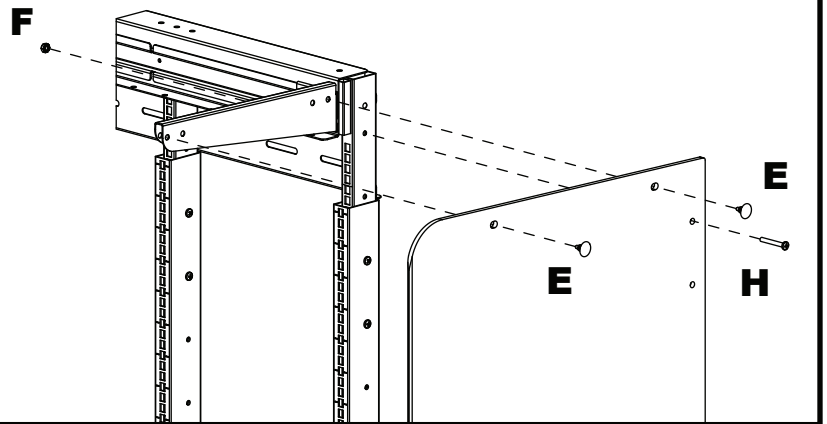


3 Repeat for Left Bracket (**C**).

▲ NOTE: If installing toppers, do not tighten screws until toppers are installed.



4 Install Right Side Panel (**B**) using Push Fastener (**E**), 1-1/2" Screw (**H**), and Lock Nut (**F**) as shown. Repeat for Left Side Panel (**A**).



▲ Grooves on side panel face inward when installed.

