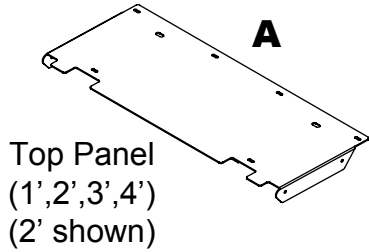


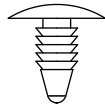


Contents:



(1) Hardware Kit

B (11)



Push Fastener

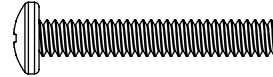
C (2)



Washer

(1) Hardware Kit

D (3)



10-24 x 1-1/4"

E (3)



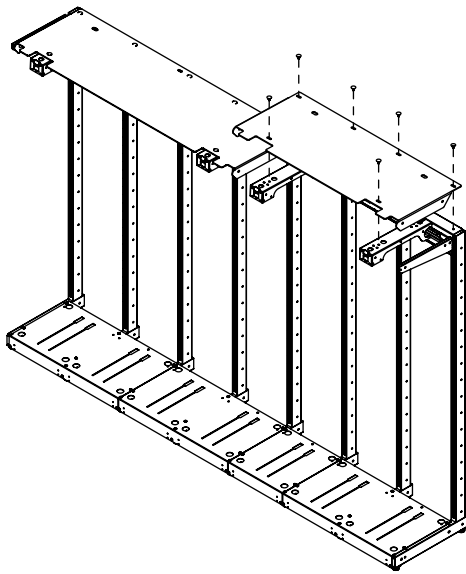
Spacer

F (3)

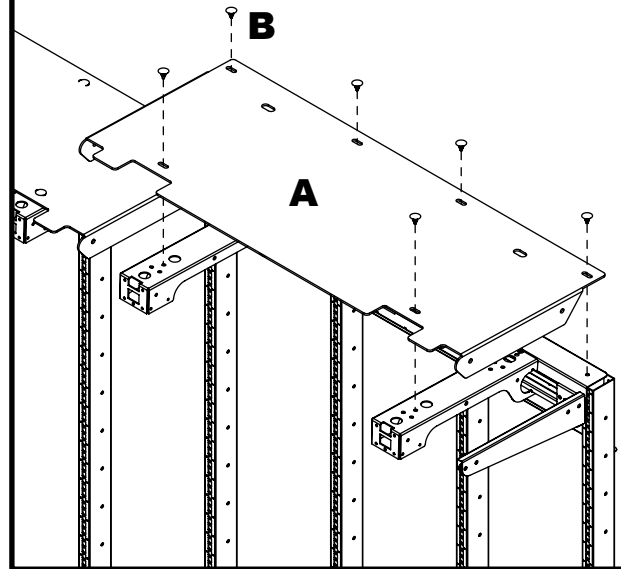


Keps Nuts

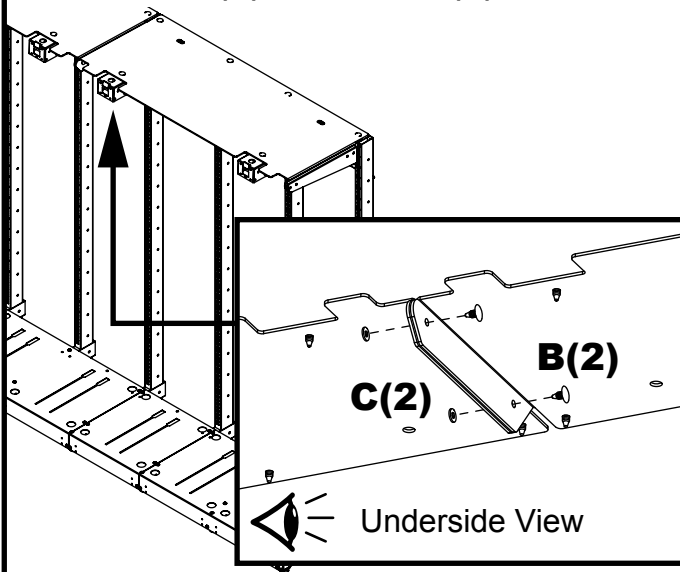
NOTE: For **Compact Displays**, refer to page 2.



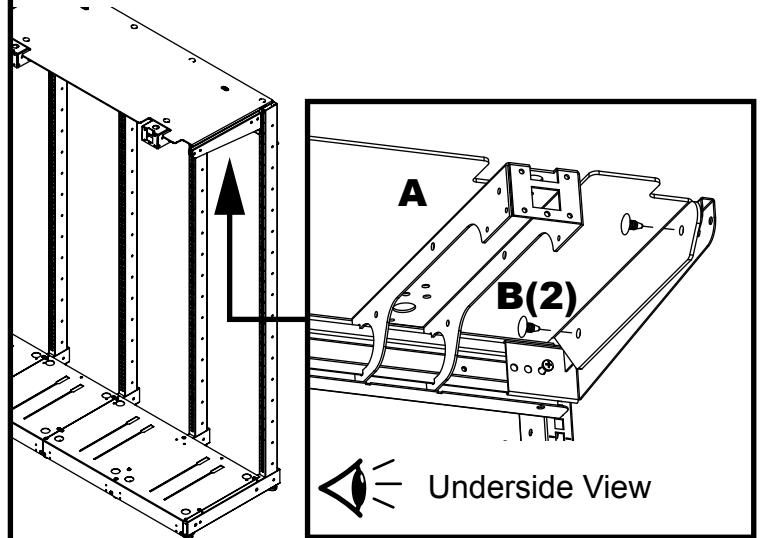
1 Install the Top Panel (**A**) using Push Fasteners (**B**) as shown.



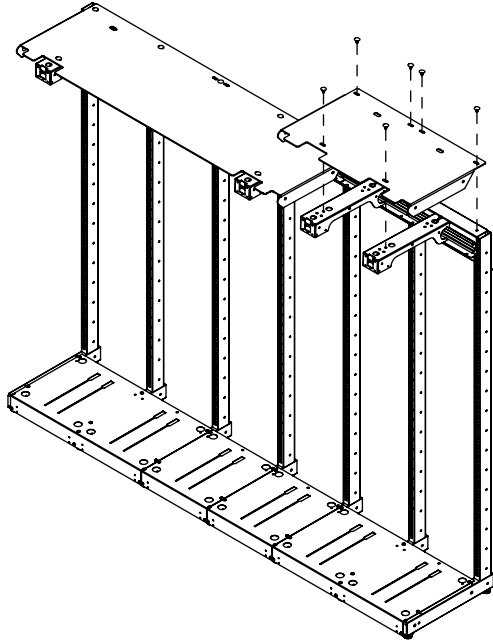
2 Secure Top Panel (**A**) using Push Fastener (**B**) and Washer (**C**) as shown.



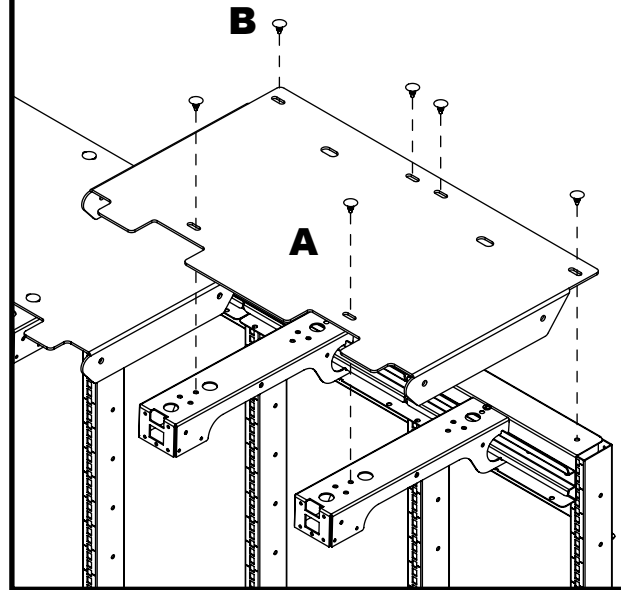
3 Secure Top Panel (**A**) to Side Panel Bracket using Push Fastener (**B**) as shown. Repeat other side.



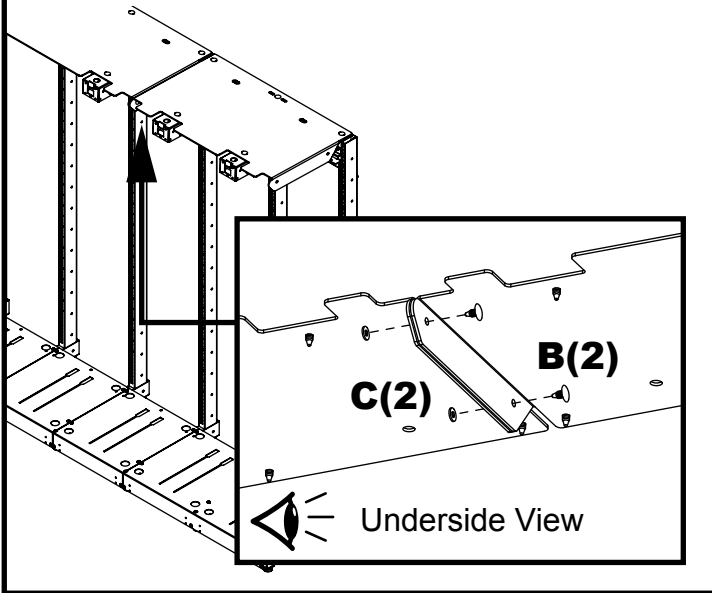
Compact Display Installation



- 1** Install the Top Panel (A) using Push Fasteners (B) as shown.



- 2** If continuous set, secure Top Panel (A) using Push Fastener (B) and Washer (C) as shown.



- 3** Secure Top Panel (A) to Compact Side Panel using 10-24 X 1-1/4" Screw (D), Spacer (E), and Keps Nuts (F) shown.

