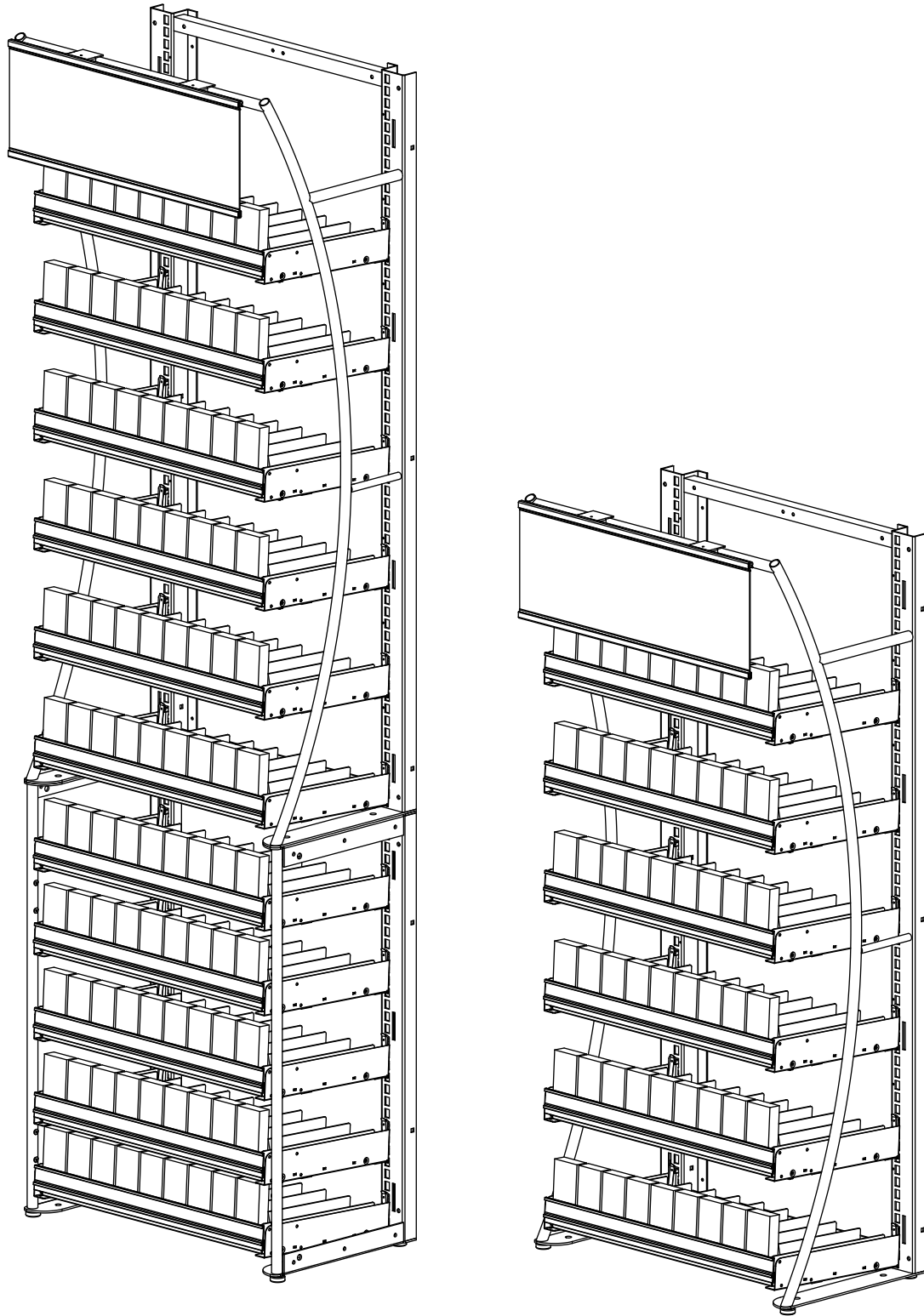


Basic / Enhanced Display Installation Manual



Warning: READ THIS STATEMENT.

Throughout this installation manual you will find **Warning:** statements.

Pay special attention to these warnings.

Failure to follow the specific instructions will result in an unsafe condition in which serious injury could result!

Installation Sheet Name

Cover Page

Warning Statement

Index

Assembly Overview

-

Standard Display Assembly

Securing Display Together

Anchoring Display

Adjusting Shelving/Shelving Installation

Non-Lighted Header Standard Sign

1. Assemble, position and bolt all bases together. See “**Securing Displays Together**” installation sheet.
2. Assemble each metal **low profile** display with ALL items, **except shelving**, including lights. Do this one display at a time, on the floor (not attached to the bases). Pre-wire all electronic equipment (See instruction sheet in **Light Kit** for power cord routing).
3. Set pre-assembled, pre-wired low profile displays on top of bases one at a time. Secure to wall as you add each one. Secure each metal display to adjoining metal displays and bases as you add each one.
4. Install shelving (refer to installation sheet “**Shelving Installation**”).
5. Install accessories.
6. Install advertising.
7. Merchandise product.
8. Questions? Call 800-704-3660.

Warning: Failure to bolt all displays together results in an unsafe condition in which the display could fall over causing injury.

Warning: Failure to secure all metal displays to bases results in an unsafe condition in which the display could fall over causing injury.

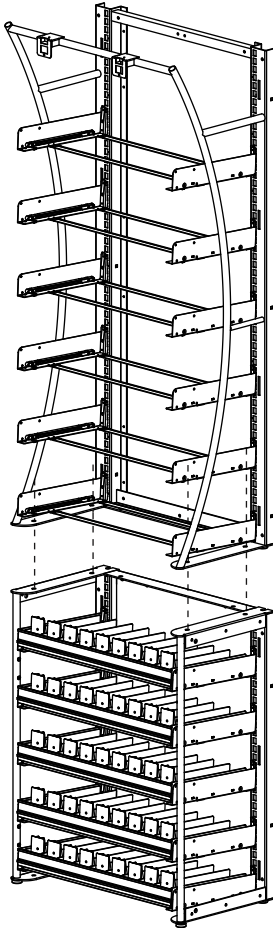
Warning: Failure to anchor the displays to the wall results in an unsafe condition in which the display could fall over causing injury.

Tools Required (not included):

- Pliers (7116 wrench)
- Phillips screwdriver

Anchoring:

- Cordless Drill
- 1/4” Drill Bit
- 5/8” Drill Bit

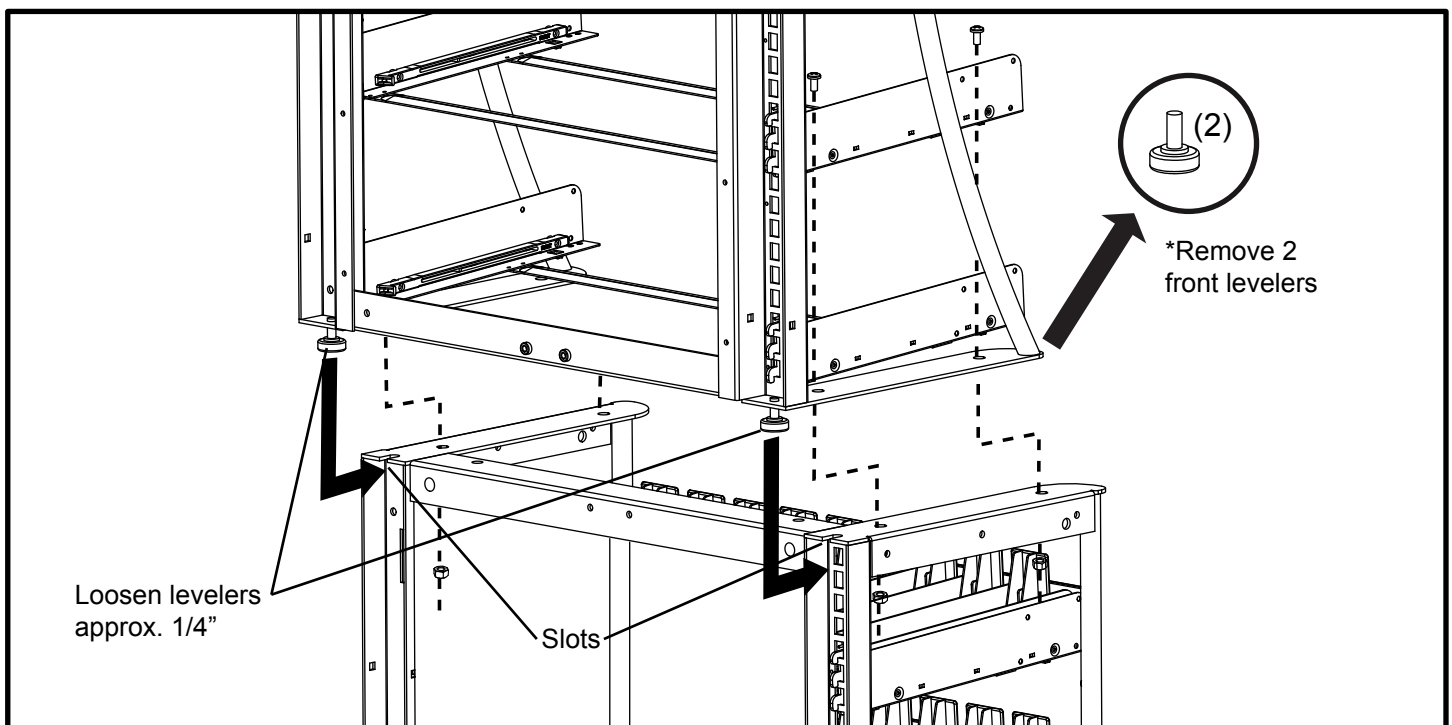


Note: A standard profile display is a combination of a low profile display on top of a base cabinet.

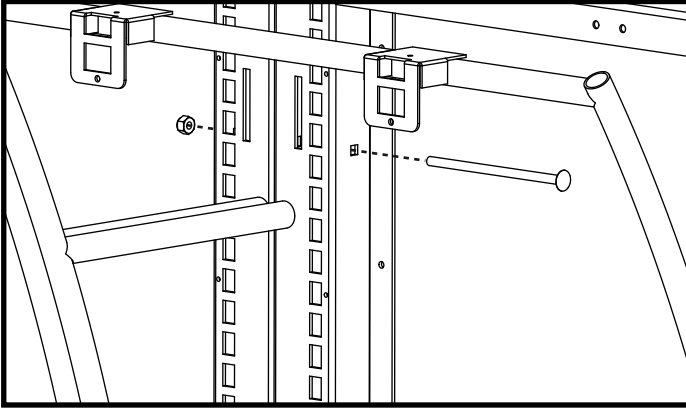
1. Remove 2 front adjustable levelers from low profile display.
2. Loosen 2 rear adjustable levelers on the low profile display approximately 1/4".
3. Set low profile display on base. Slide low profile display forward so that rear levelers engage slots in top of base.
4. Hand-tighten rear levelers to help keep displays positioned.

5. Fasten display together with 4 supplied screws and nuts.

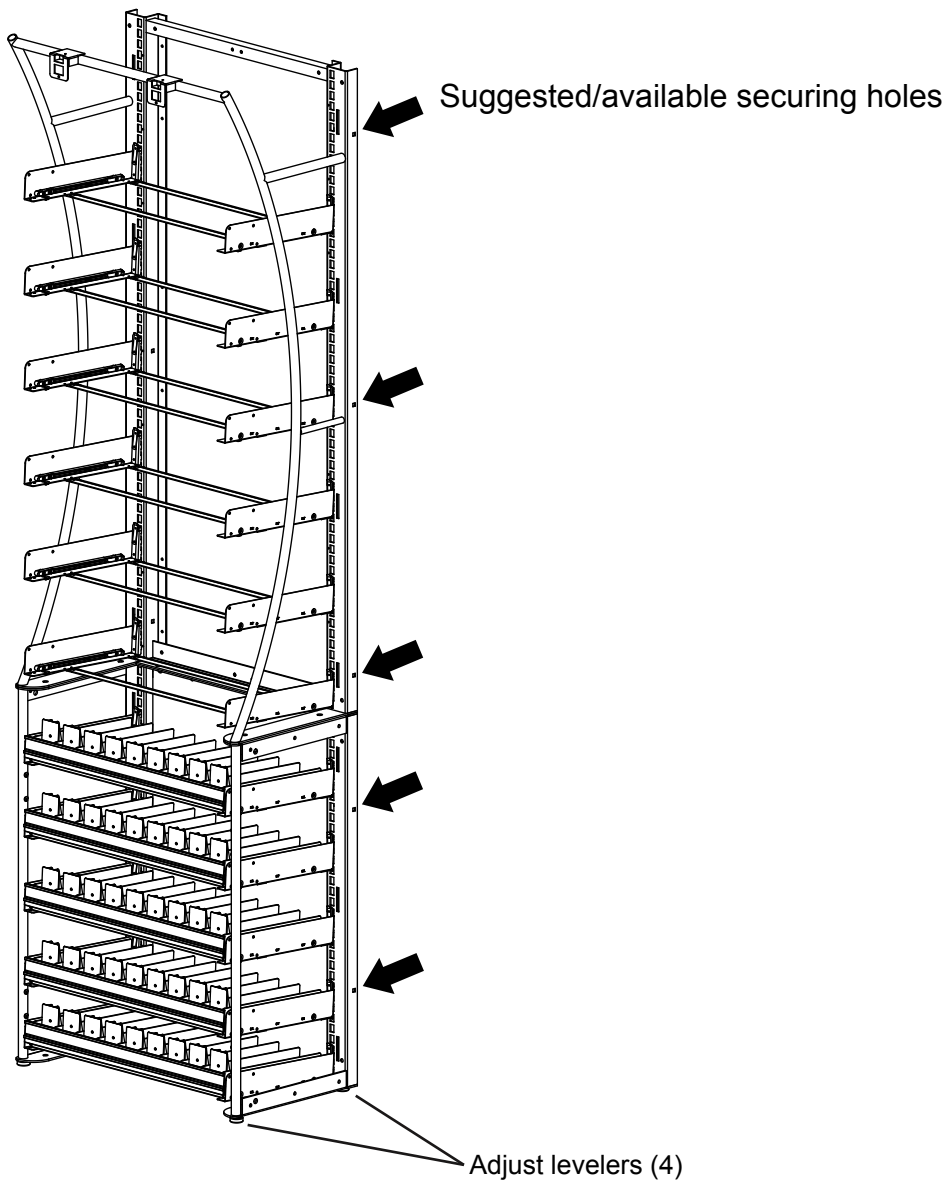
Warning: Displays must be properly anchored to each other and the wall. Failure to do so results in an unsafe condition in which the display could fall over causing injury.



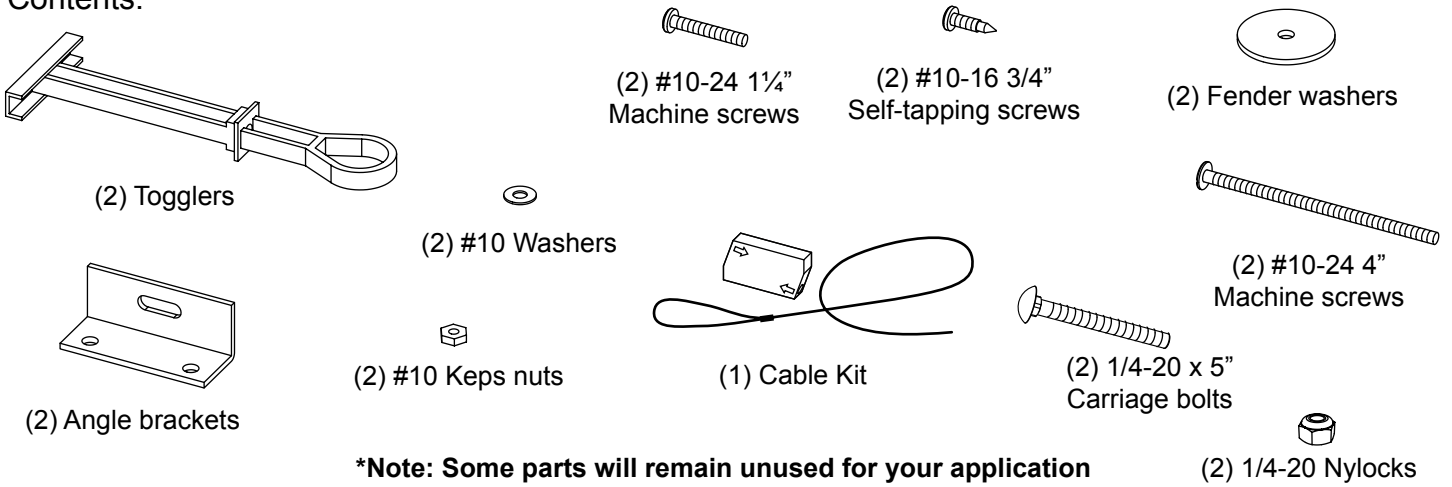
Warning: Failure to anchor the displays to each other and the wall results in an unsafe condition in which the display could fall over causing injury.



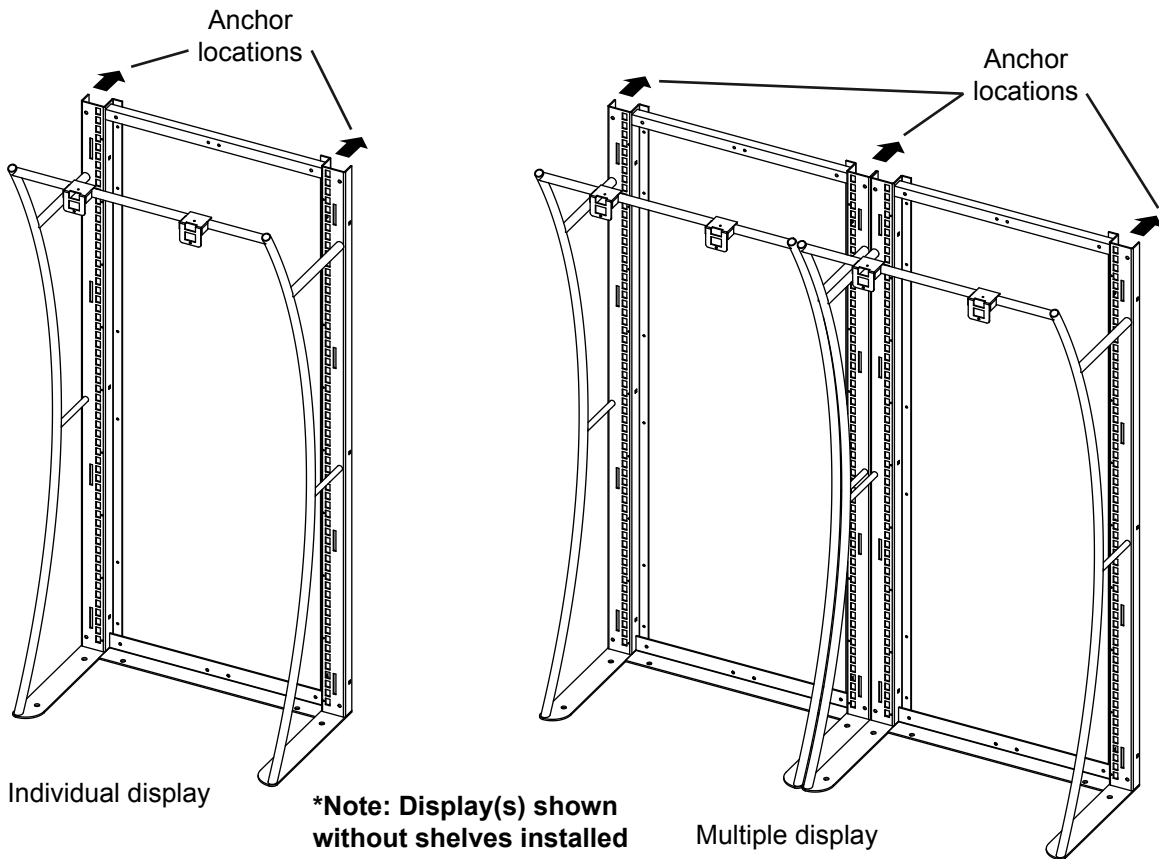
1. Adjust levelers to align displays.
2. Multiple displays should be secured together with bolt sets provided.



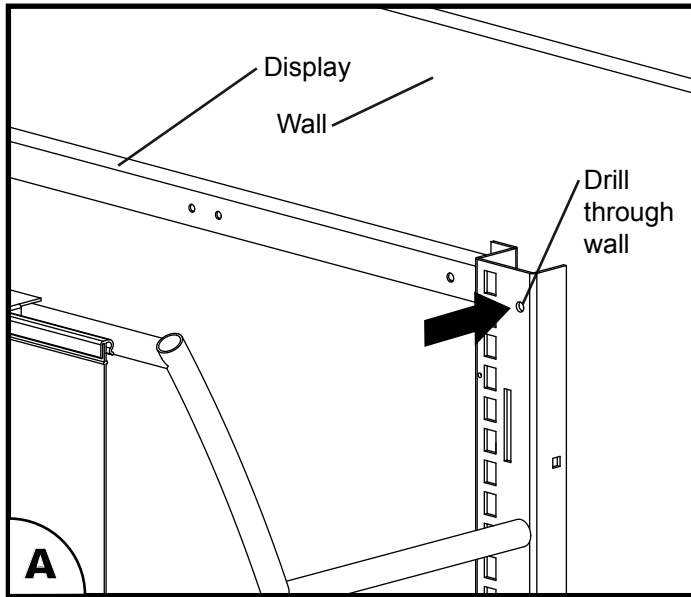
Contents:



Warning: Failure to anchor the displays to the wall results in an unsafe condition in which the display could fall over causing injury.

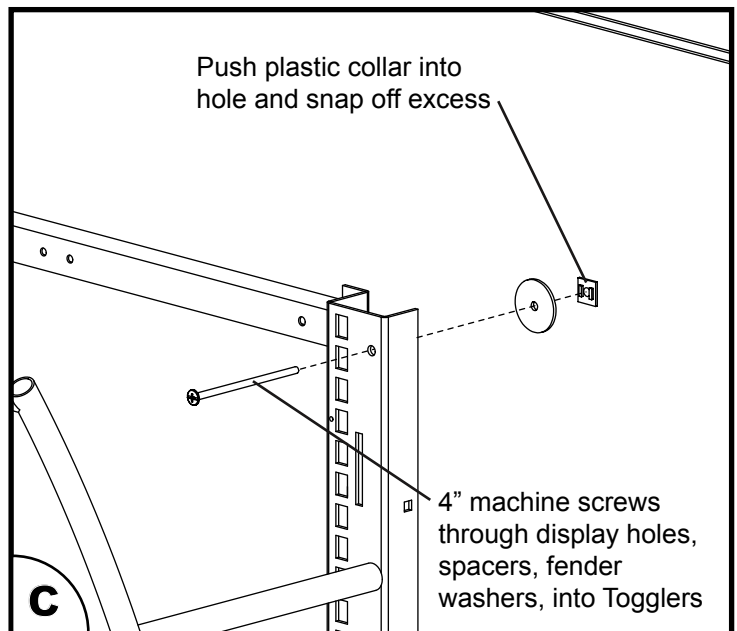
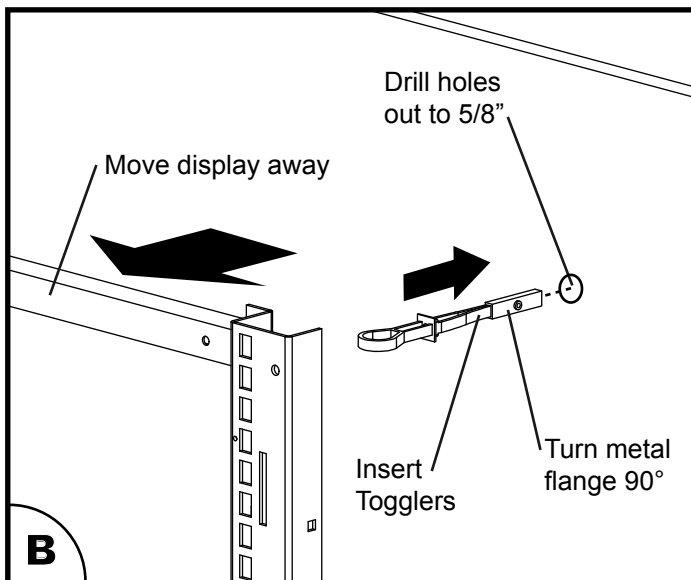


- Notes:
- Individual displays should be anchored in both top corners.
 - Multiple displays should be anchored in both top corners and where displays join each other.



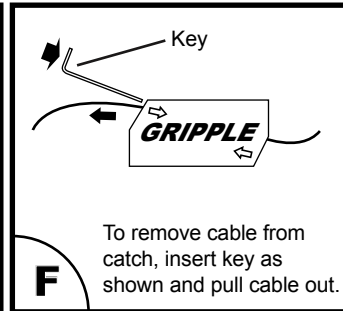
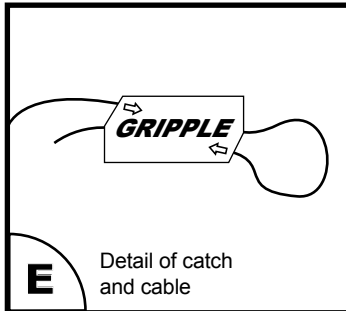
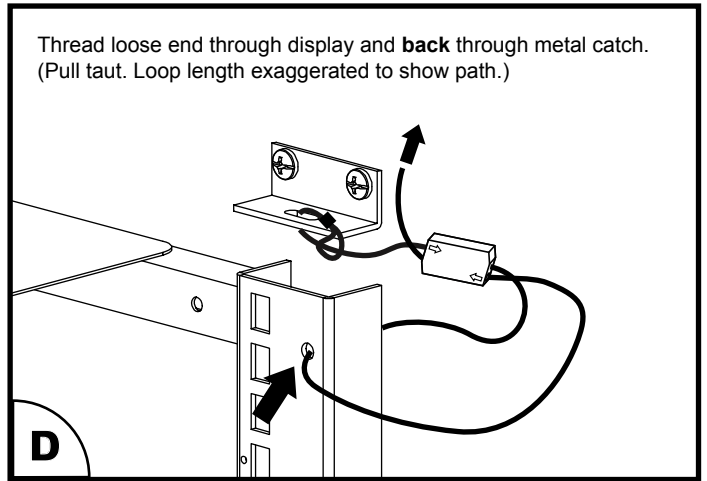
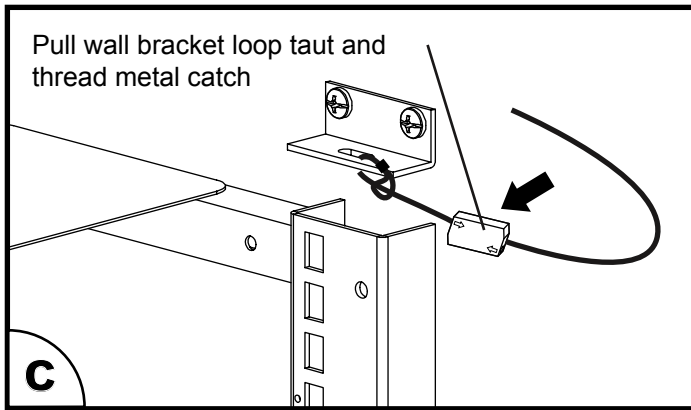
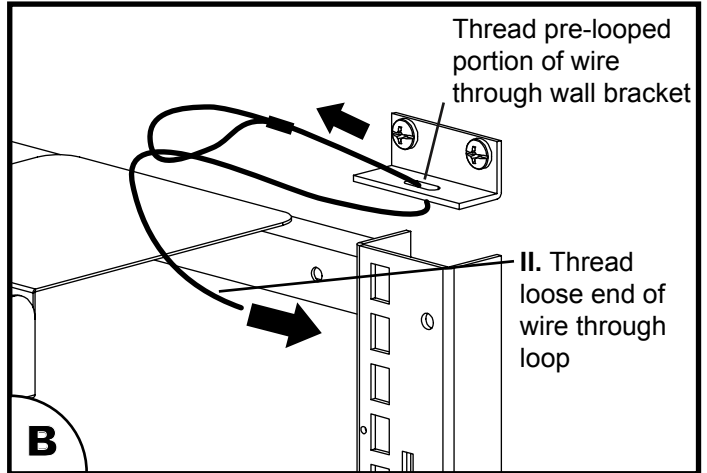
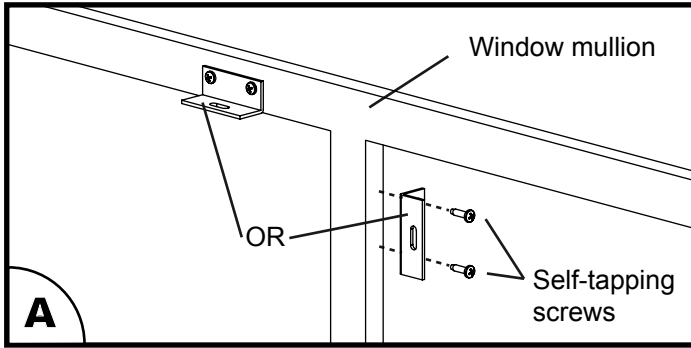
For anchoring to drywall:

1. Position display next to wall. Drill through top holes in metal uprights with 1/4" bit, into wall (Fig. A).
2. Move display away from wall. Drill out holes to 5/8", flip metal flanges of Toggles 90° and insert (Fig. B). Pull taut, pushing plastic collar into hole and snapping off excess (Fig. C).
3. Reposition display and secure to Toggles in wall with 4" machine screws, and fender washers (Fig. C).

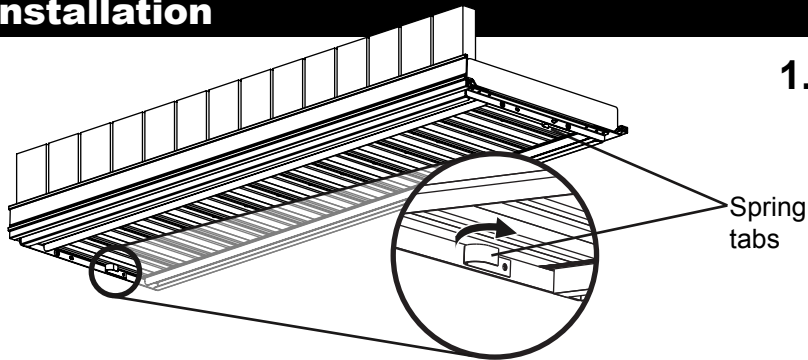


For anchoring to window mullion:

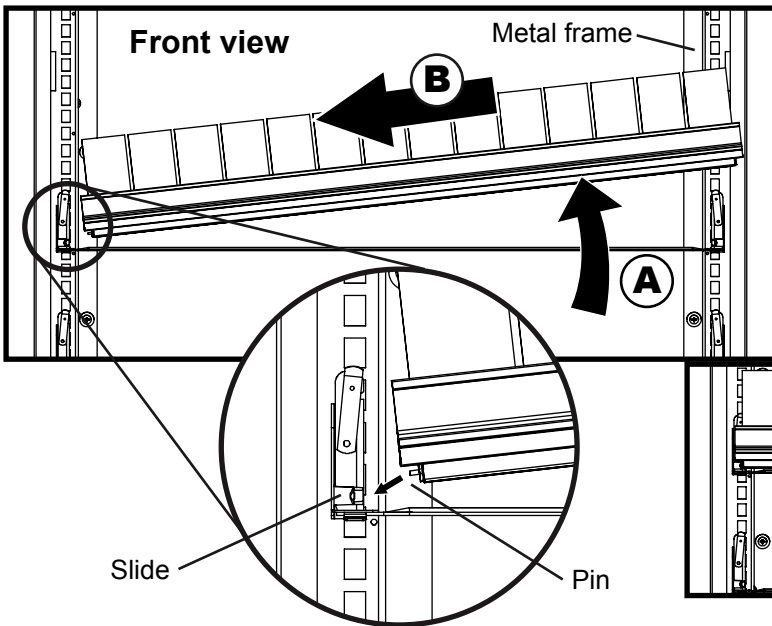
Determine locations on window mullion for angle brackets. Use 2 self-drill/tap screws to mount 1 bracket to mullion. (Fig. A). Secure display to angle bracket using Gripples as shown (Figs. B, C, D, E & F).



Installation

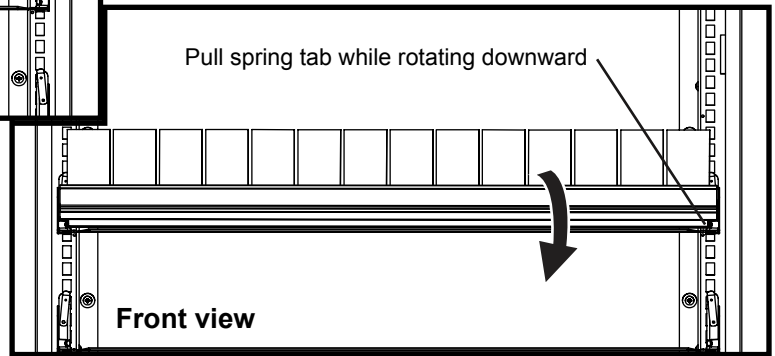


1. Locate spring tabs and pins on both sides of shelf bottoms.

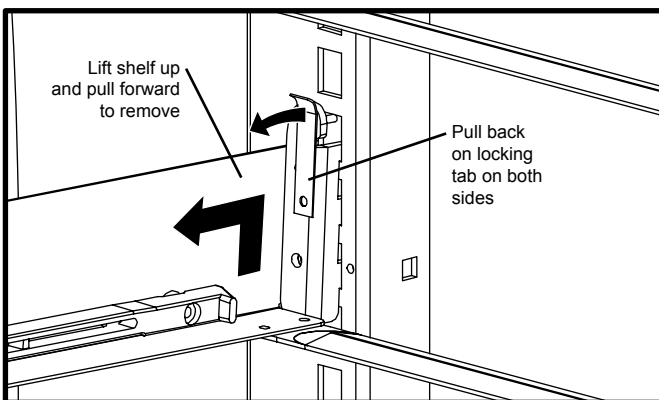


2. Rotate shelf so that pin engages groove in plastic slide.

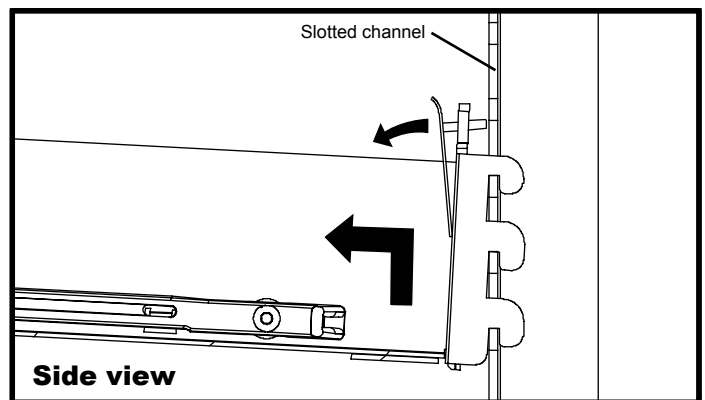
3. On opposite side of shelf, pull spring tab while rotating side of shelf downward.



Adjustment

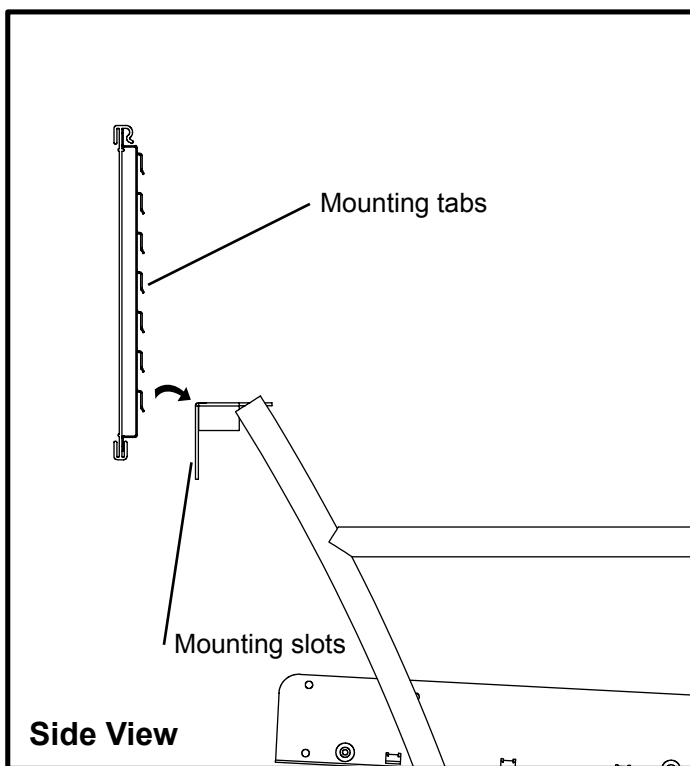
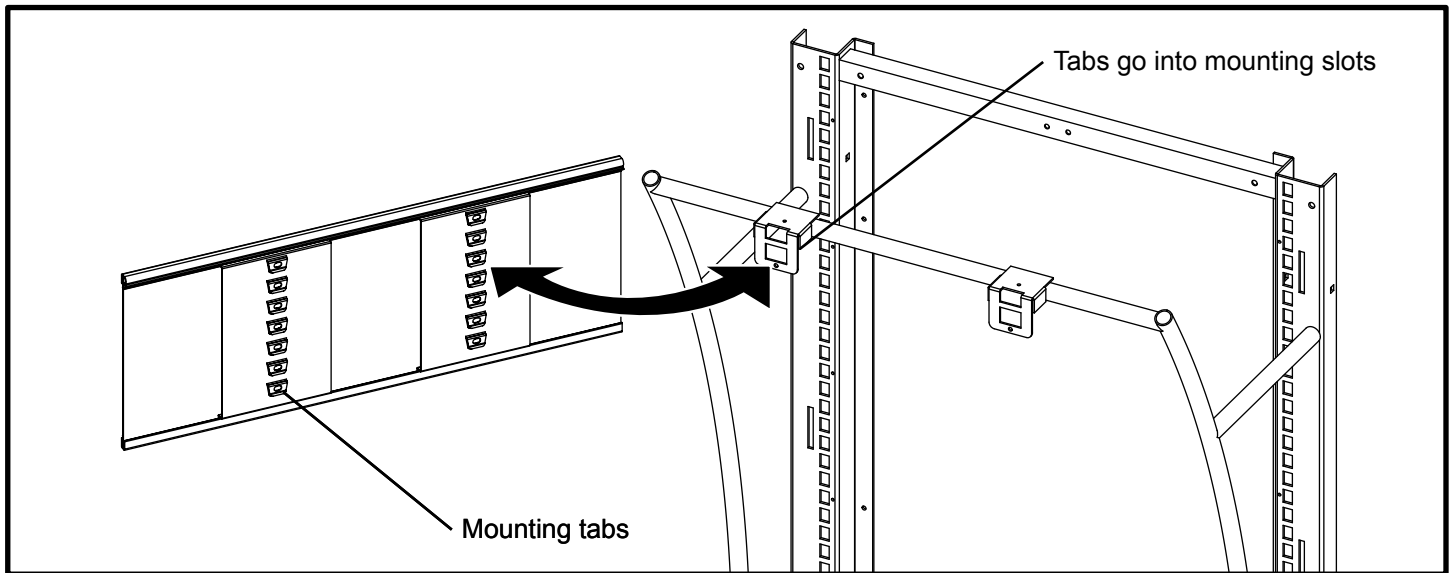


1. To adjust shelf support, gently pull back on locking tab until pin is disengaged from slot. Do this on both sides of support.



2. Locking pin should automatically lock into place when inserting shelf support into new location.

Warning: Make sure locking pin is engaged into slot. Test each shelf after installing to make sure it cannot be knocked loose. Failure to do so can result in an unsafe condition in which the shelf could be knocked off the metal display causing injury.



Hang the sign channel mounting brackets on the metal display by engaging the selected sign channel mounting tabs in the mounting slots located on the metal display. Push down on channel to secure mounting tabs in mounting slots. **Note: Normal setting is in the highest position.**

