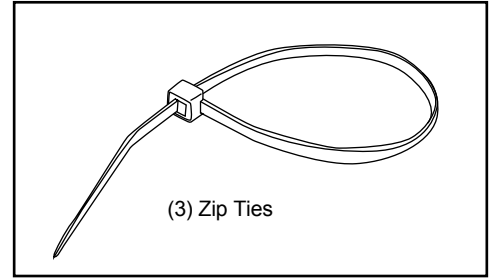
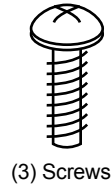
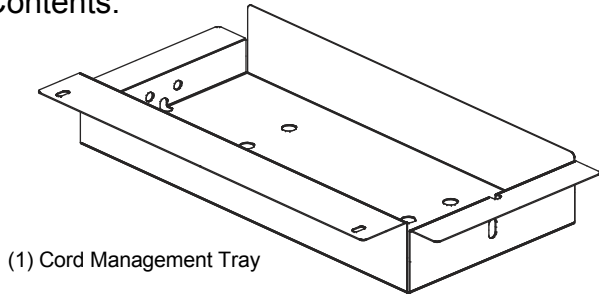
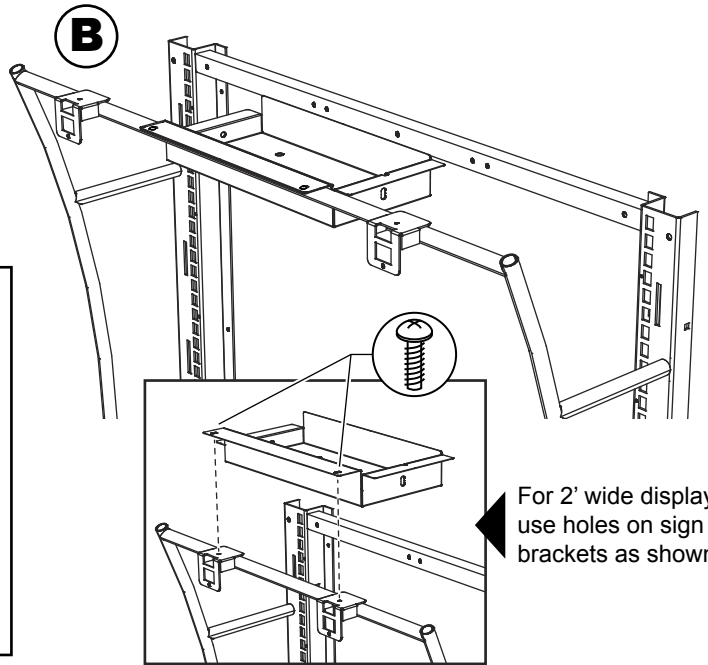
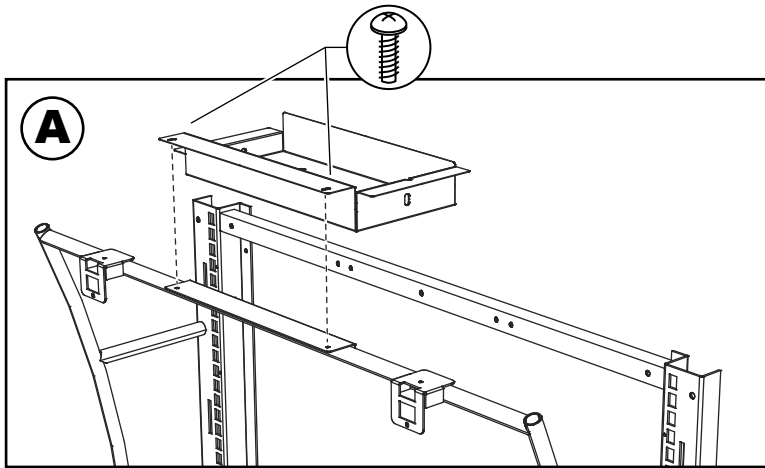


Contents:



48" or 63" Height Display

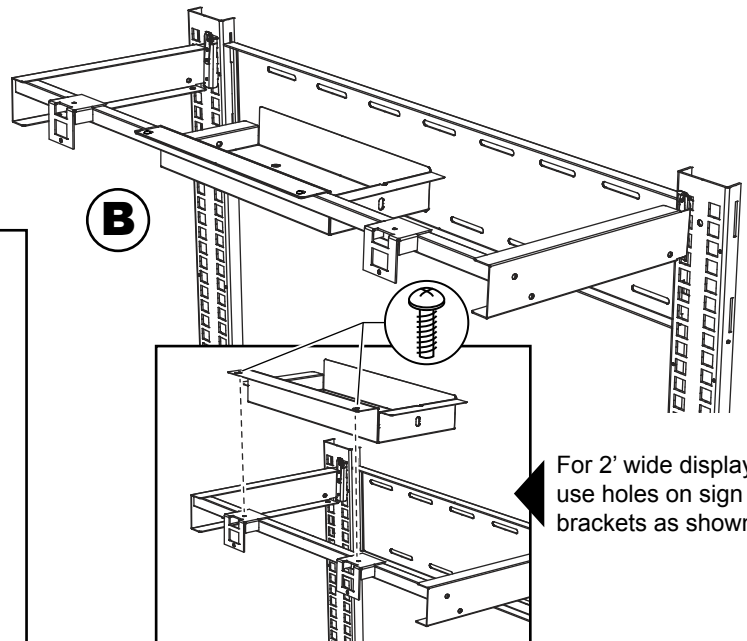
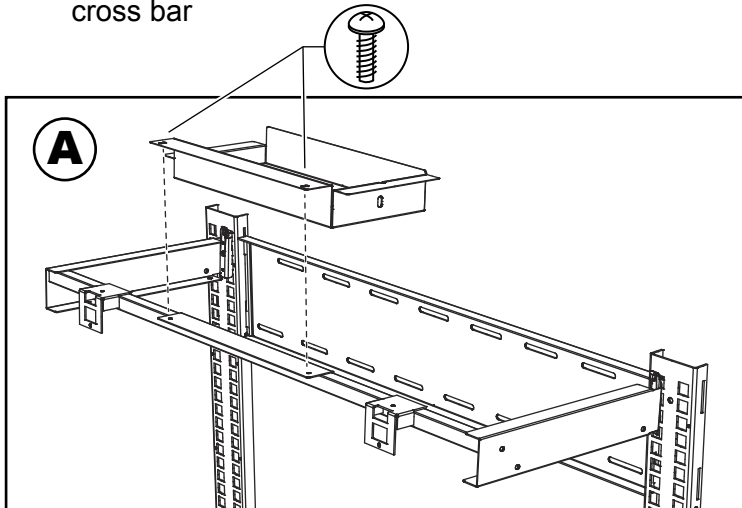
Use (2) screws to secure tray to front cross bar



For 2' wide displays, use holes on sign brackets as shown

Wall Mount Display

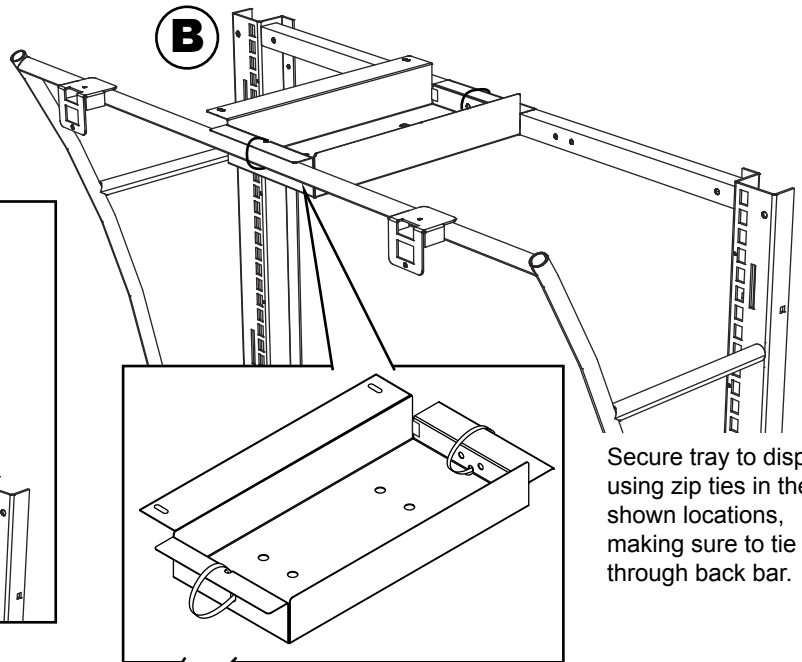
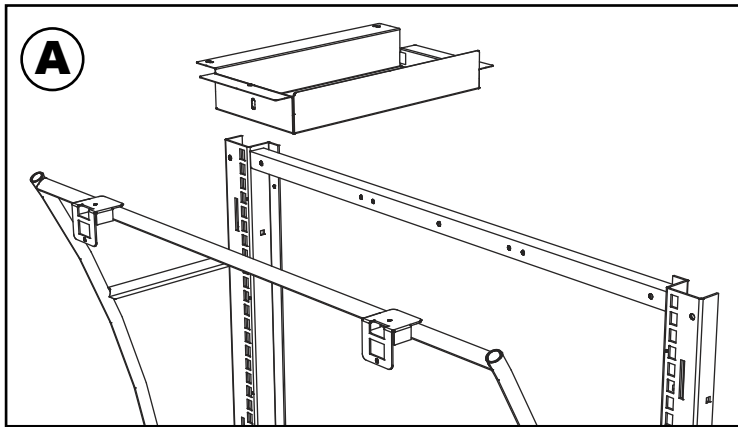
Use (2) screws to secure tray to front cross bar



For 2' wide displays, use holes on sign brackets as shown

53" Height Display

• Applies to 2', 3', and 4' widths



Secure tray to display using zip ties in the shown locations, making sure to tie through back bar.

