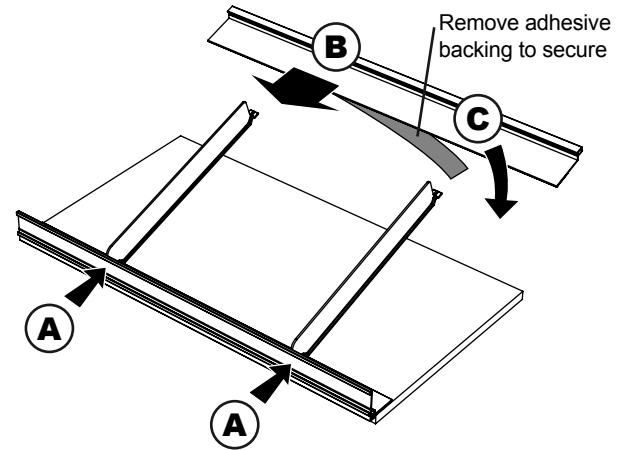
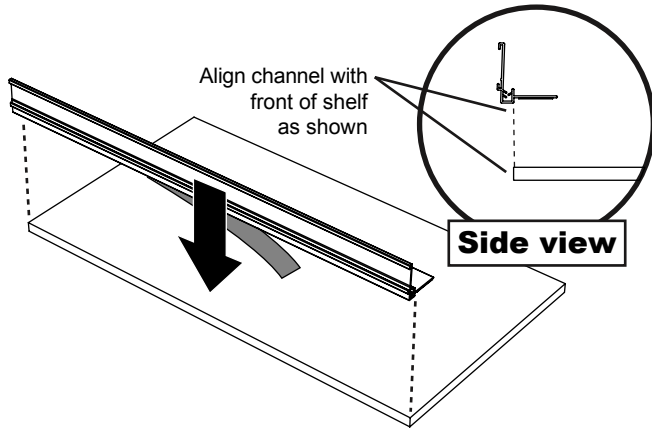
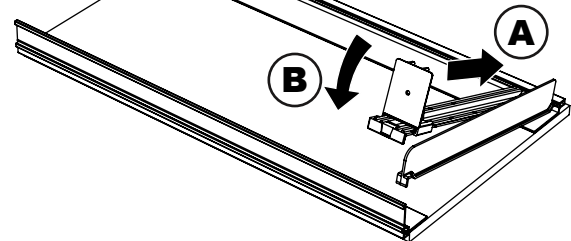
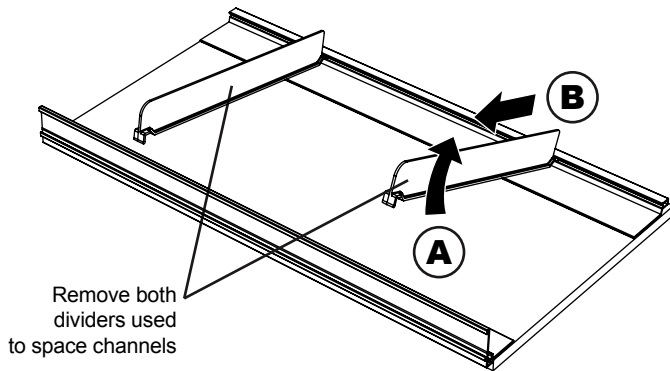


**Note: Before installing pusher kit, remove product and any merchandising equipment from shelf. Ensure shelf is clean and dry.**



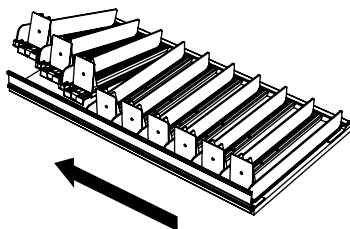
**1.** Remove adhesive backing and adhere front channel to clean shelf surface. Ensure channel aligns with front of shelf as shown (see side view).

**2. IMPORTANT:** To space rear channel from front channel, temporarily insert (2) dividers into front channel (**A**). Insert rear of dividers into rear channel (**B**). Lift rear channel, remove adhesive backing and lower to secure to shelf surface (**C**).



**3.** Remove dividers by pulling up on front (**A**) and pulling forward to disengage rear (**B**).

**4.** Install dividers and pushers as shown. Push in back of each element (**A**), then rotate down into front channel (**B**). **To ensure proper spacing of pushers and dividers, insert product to be merchandised into pusher track, then install adjacent divider and pusher.**



**5.** Install dividers, pushers and product to fill out remaining shelf space as shown. Reference corporate plan-o-gram for placement of product.