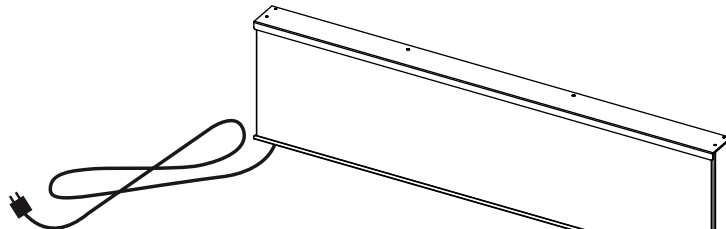


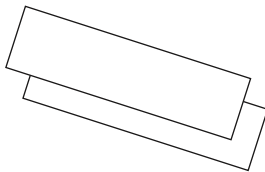
Warning: Unplug and turn off power before installing or servicing.

Contents:

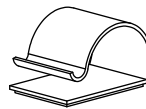
*** Do not discard carton until all parts are accounted for ***



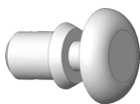
(1) Header Sign Lighted
Assembly



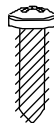
(2) Clear
plastic panels
(Packed under
corrugate slip sheet)



(3) Cord clips



(2) Plastic locking pins

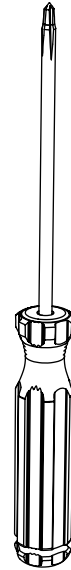


(4) #6 x 1/2"
Screws



(4) Cable Ties

**Tools
Required:**

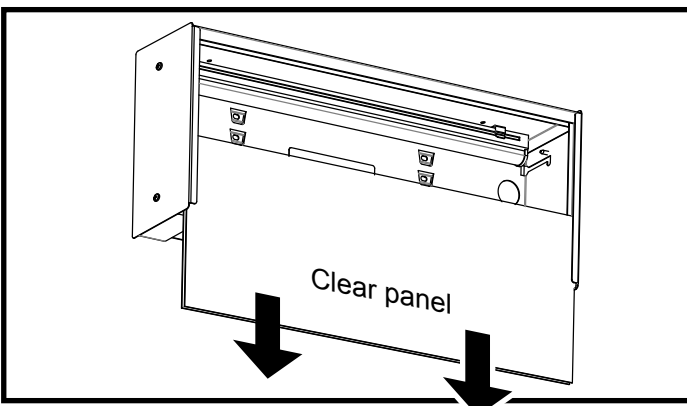
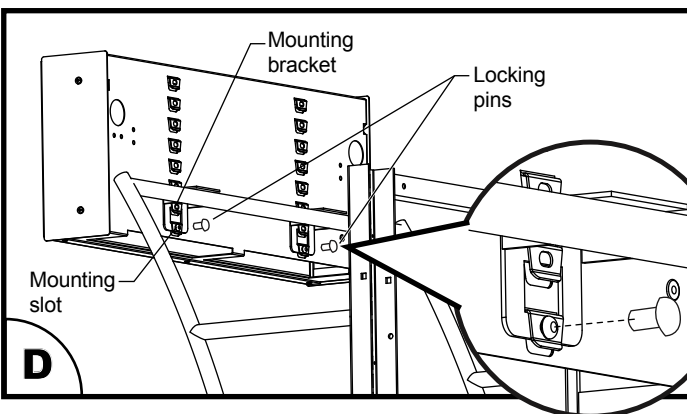
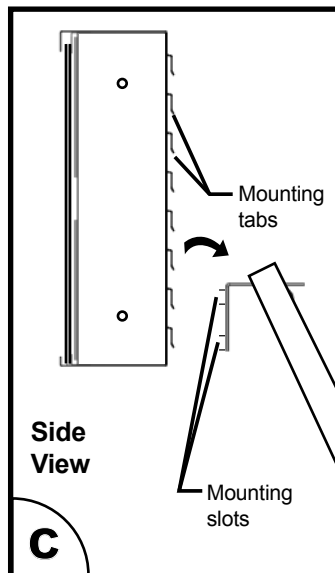
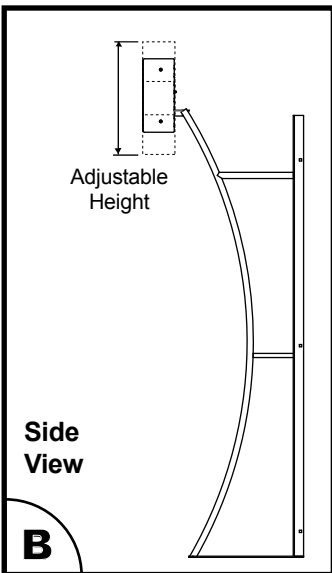
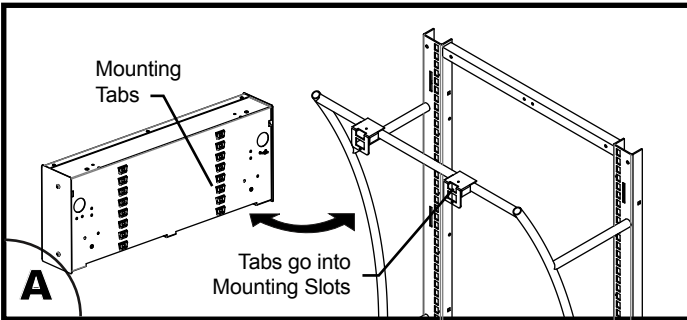


Phillips screwdriver
(not included)

This sign is intended to be installed in accordance with the requirements of Article 600 of the NEC and/or other applicable local codes. This includes proper grounding and bonding of the sign. Dry Location Only.

Note: Additional hardware may be included

Metal Application



Warning: Unplug and turn off power before installing or servicing.

Warning: Do not overtighten cable ties. This will damage power cord insulation.

1. Determine desired position for light to be mounted on metal fixture. Light can be adjusted up and down by selecting which mounting tabs are used (Fig. B & C). **Note: Normal setting is in the highest position.**
2. Hang the light on the metal fixture by engaging the selected light fixture mounting tabs in the mounting slots located on the metal fixture (Figs. A & C).

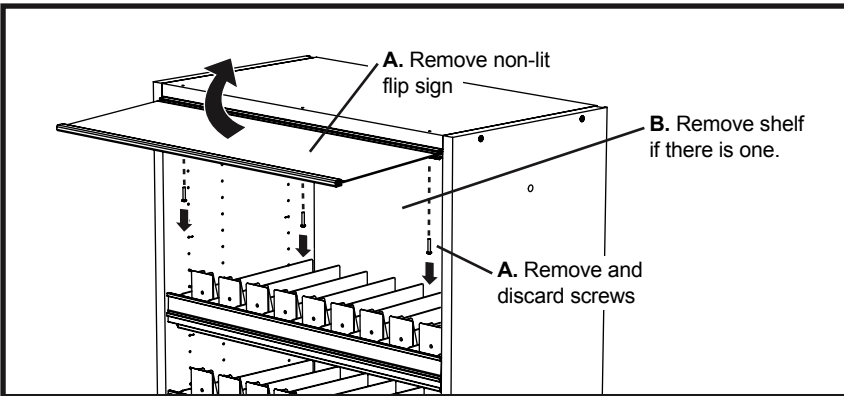
Warning: Failure to secure header results in an unsafe condition in which the light fixture could be knocked off the metal fixture resulting in injury.

3. Secure the light fixture onto the metal fixture by pushing the locking pins (2) through the holes in the mounting tabs and into the mounting bracket. Do this on both mounting brackets (Fig. D). Route power cord and secure with supplied cable ties and cord clips (see "Power Cord Routing" installation sheet).

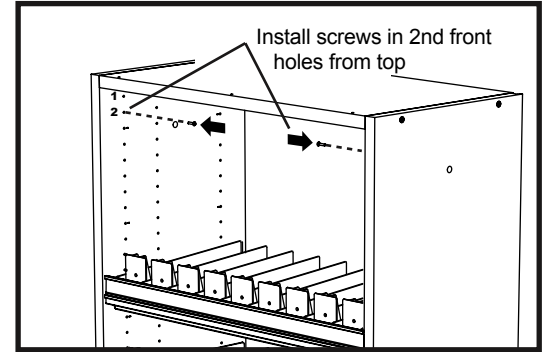
4. To install or replace graphic, lift and remove both clear panels and place graphic between clear panels. Place panels (with graphic) back into sign frame. Be sure film is removed from both clear panels.

Note: For 2ft. header, **first** place clear plastic panel with black strips behind graphic, **then** place clear panel without black strips in front of the graphic.

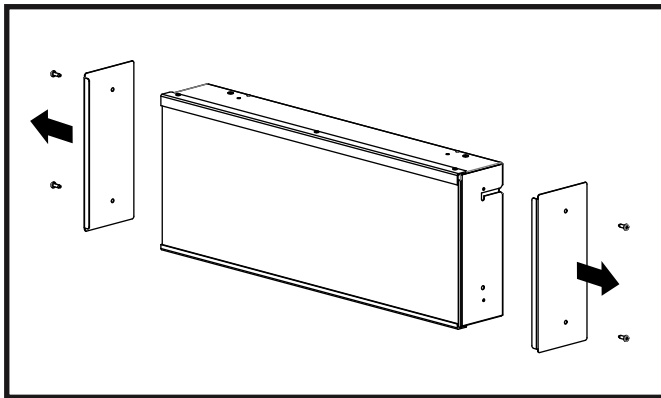
Wood Application



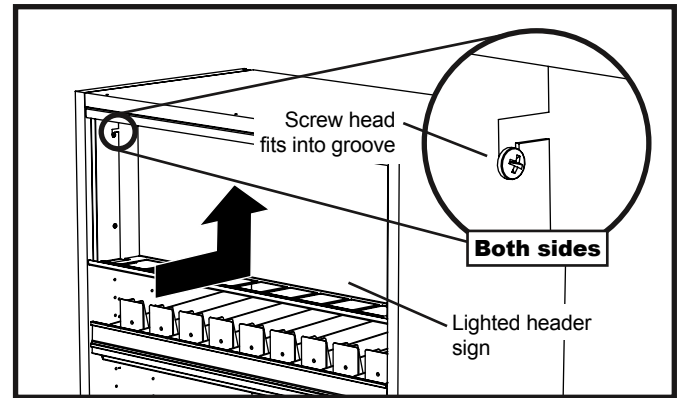
- 1a. Rotate non-lit flip sign up, remove screws and sign as shown above.
- 1b. Remove shelf from behind the flip header if there is one.



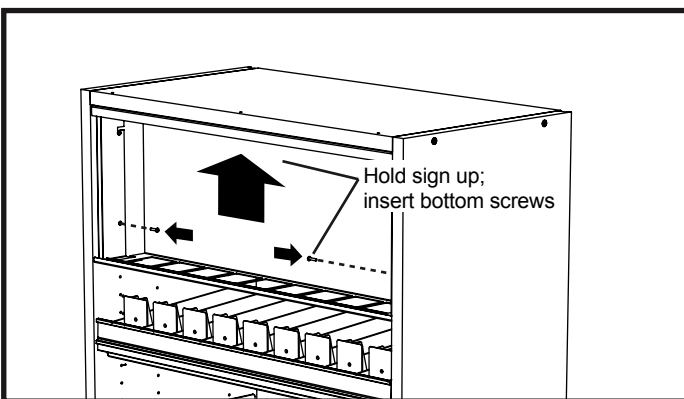
- 2. Install (2) #6x1/2" screws in 2nd front holes from top on left and right inside of cabinet. Leave a gap between screw head and cabinet wall.



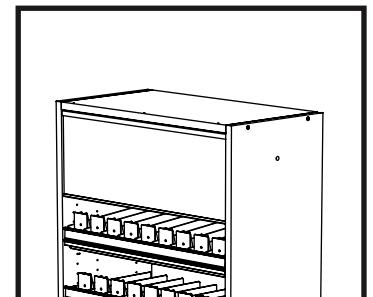
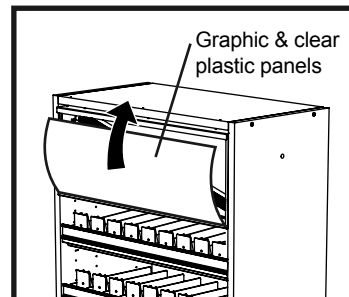
- 3. Remove (2) end caps from header sign by removing (2) screws per cap.



- 4. Locate slots on both sides of header sign. Slide header sign into fixture, pushing up to locate screw heads as shown.



- 5. While continuing to push up on header sign, insert (2) #6 x 1/2" screws into bottom holes as shown. Tighten all screws.



- 6. Remove protective film from (2) clear plastic panels and place graphic (not included) in between. Flex as shown and install into sign frame.

Note: For 2ft. header, **first** place clear plastic panel with black strips behind graphic, **then** place other clear panel without black strips in front of the graphic.