

Shelf Connector Kits


2ft Shelf Connector Kit : Item# 36550
3ft Shelf Connector Kit : Item# 36555




Contents:

Item# 36550: 2ft Shelf Connector Kit

A
2ft Front Shelf Connector (4)

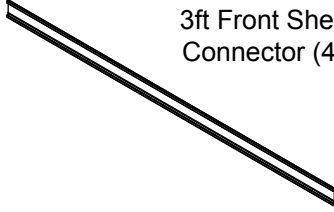


B
Rear Connector (4)

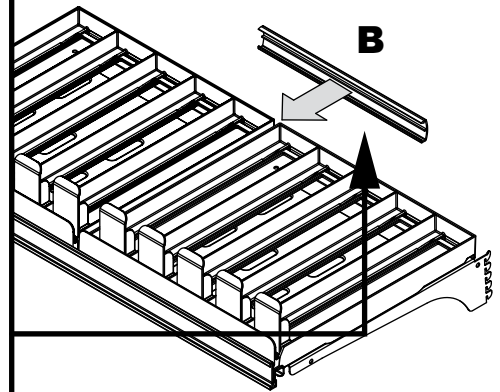
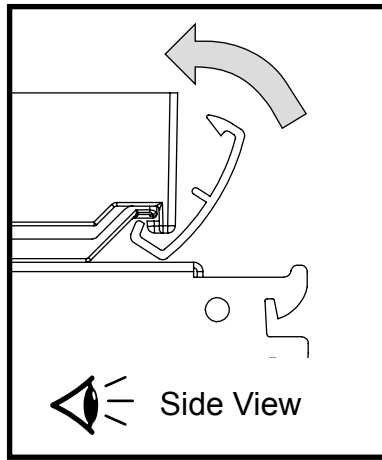
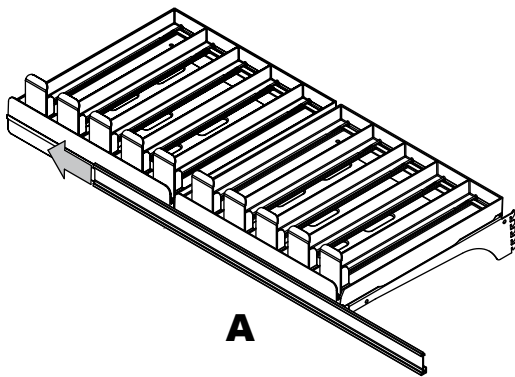



Item# 36555: 3ft Shelf Connector Kit

A
3ft Front Shelf Connector (4)



B
Rear Connector (8)



1. Slide Shelf Connector (**A**) onto adjacent trays as shown.

2. Snap Rear Connector (**B**) onto back of molding to secure. Connector is to be applied at seam of trays to secure together.