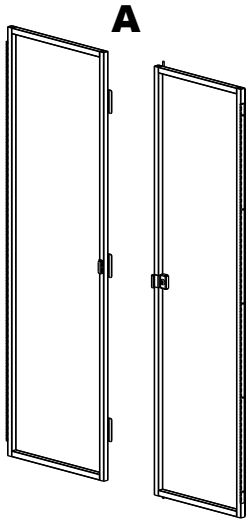


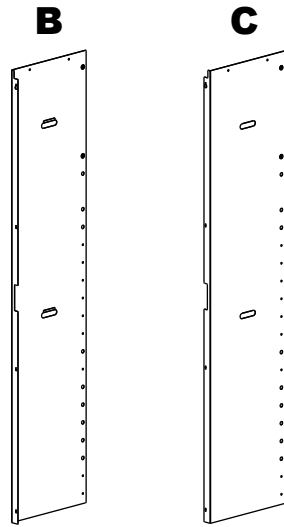


Contents:



A
 2ft Door Assembly #30512
 (Single Door only)
 3ft Door Assembly #30513
 4ft Door Assembly #30514

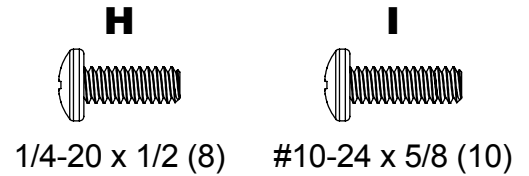
Side Panel Kit #30510:



B Left Side Panel (1)
C Right Side Panel (1)

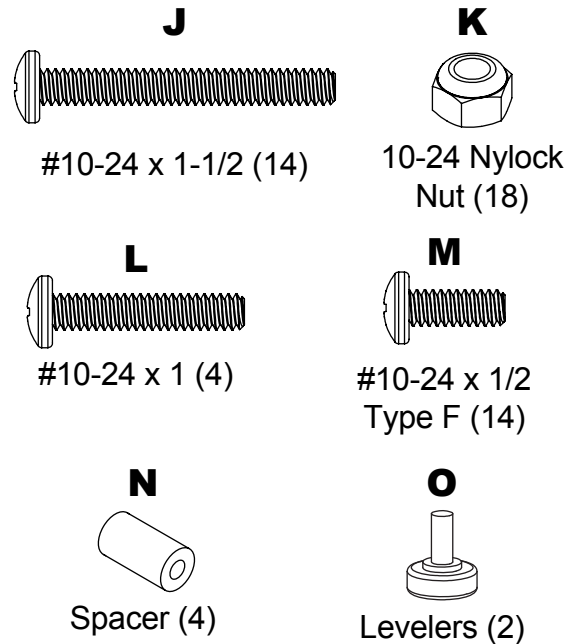
Hardware Kits:

3ft - 4ft Door Frame / Spline Kit - #351135:



H 1/4-20 x 1/2 (8)
I #10-24 x 5/8 (10)

Door Assembly / Top & Bottom Support / Side Panels - #351136:



J #10-24 x 1-1/2 (14)
K 10-24 Nylock Nut (18)

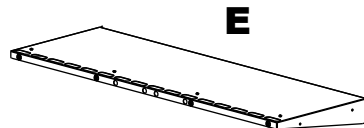
L #10-24 x 1 (4)
M #10-24 x 1/2 Type F (14)

N Spacer (4)
O Levelers (2)

****Additional Hardware may be included.****

Security Top/Bottom:

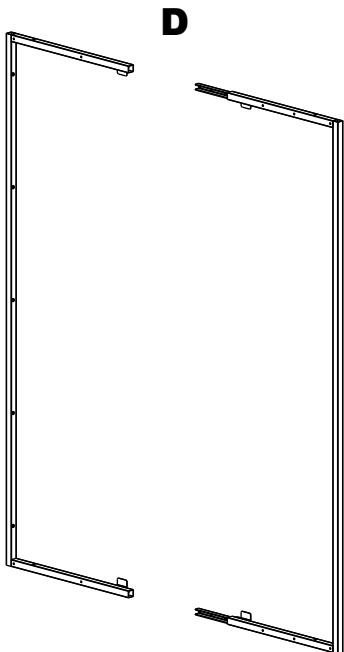
2ft - #30526
 3ft - #30527
 4ft - #30528



E Security Top (1)

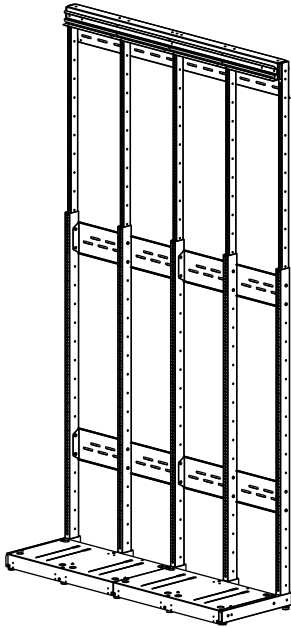


F Security Bottom (1)



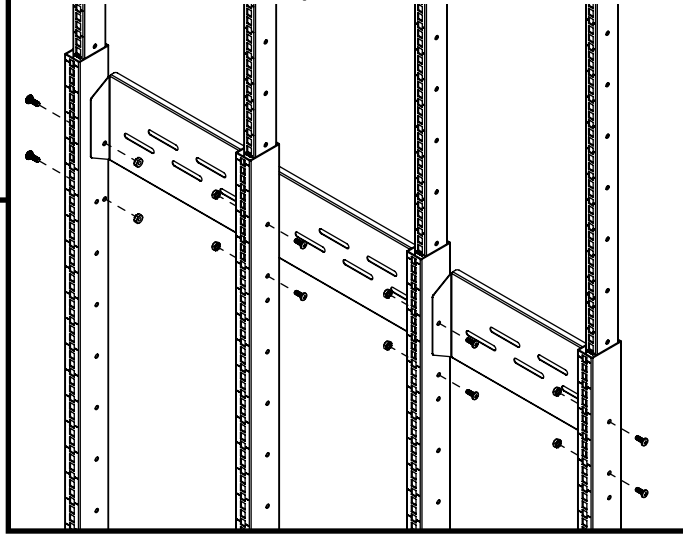
3ft Outer Frame #30515 (1)
 4ft Outer Frame #30516 (1)

NOTE: IF BACK PANELS ARE REQUIRED THEY MUST BE INSTALLED BEFORE PROCEEDING WITH SECURITY DOOR ASSEMBLY. If Security Back Panels are **NOT** needed, telescope fixture to the correct 88" height, adding Braces in the middle position.

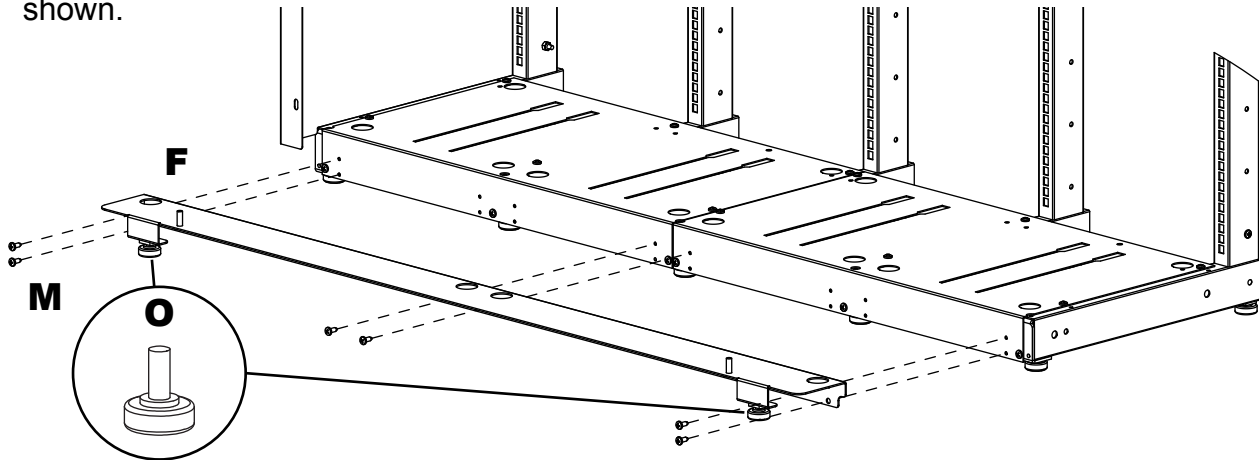


4ft shown

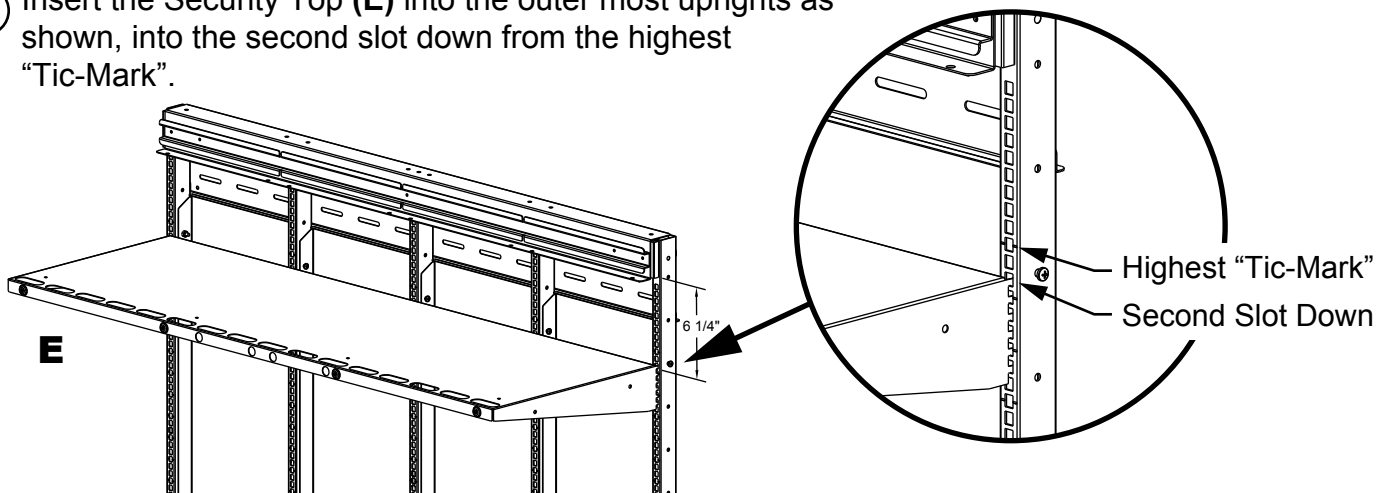
4 Secure Mid Braces using #10-24 x 1.25" Screws and Keps Nuts.



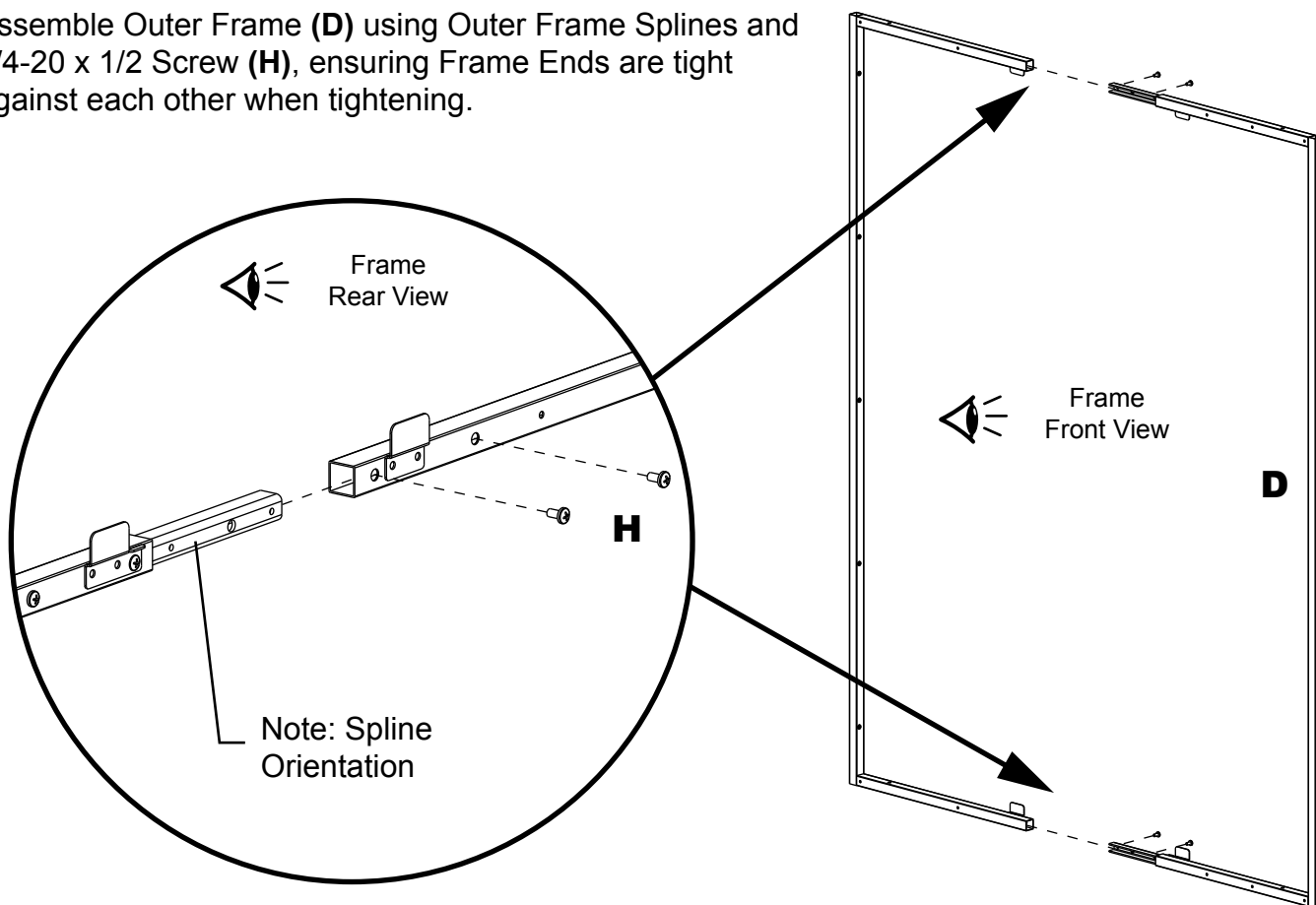
1 Install Levelers (O) into Impact Security Bottom Support (F). Mount Security Bottom (F) to the front of the decks, using #10-24 x 1/2 Type F Screw (M) in "Bottom Support" in 6-places as shown.



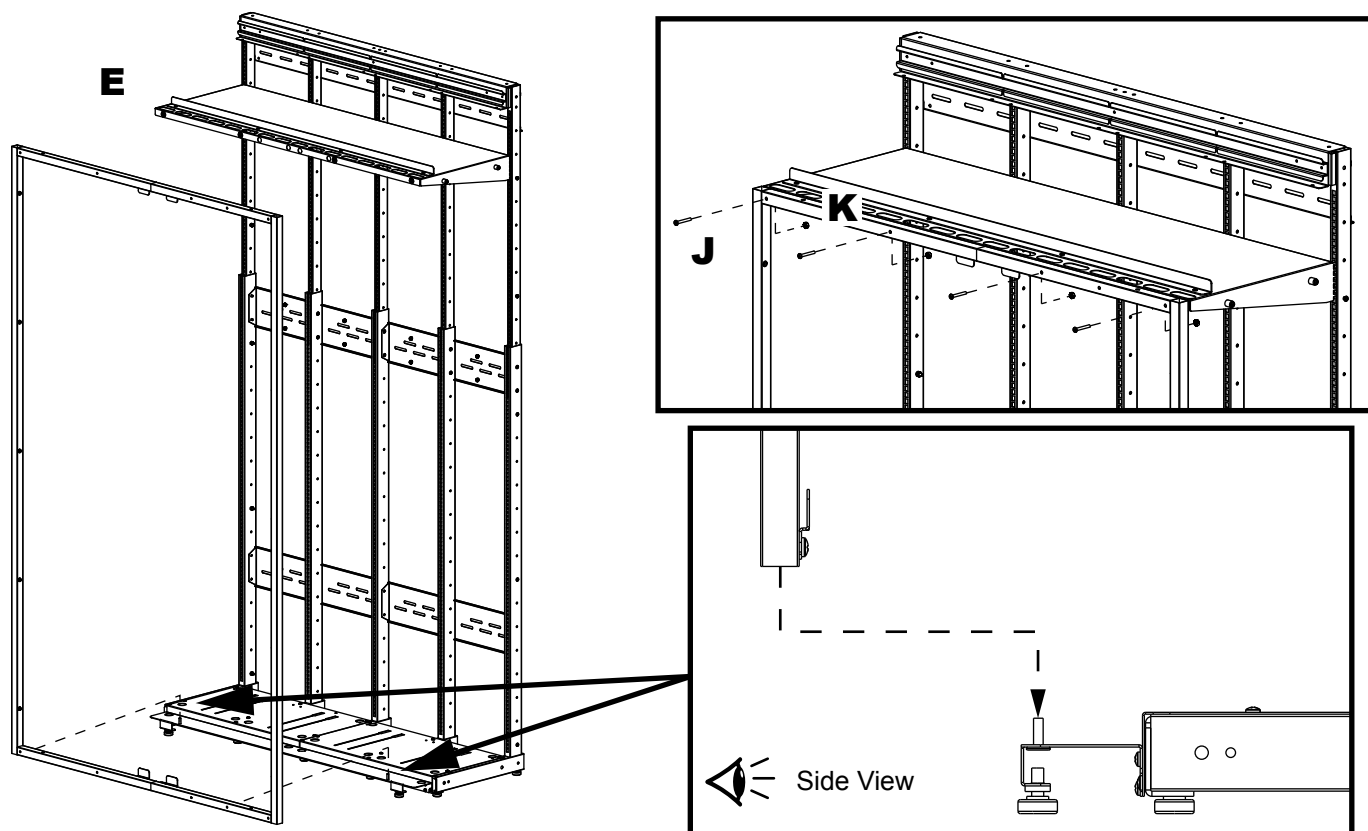
2 Insert the Security Top (E) into the outer most uprights as shown, into the second slot down from the highest "Tic-Mark".



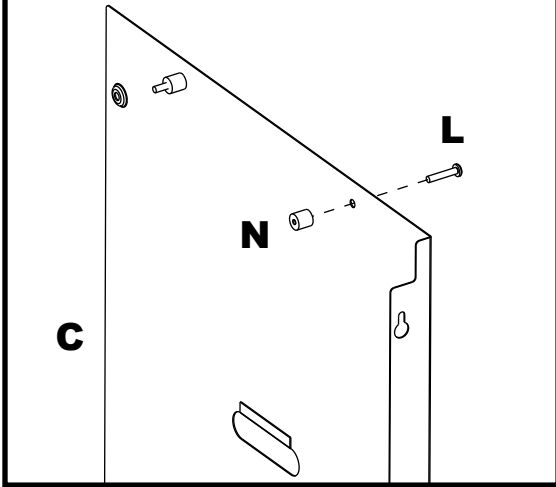
- ③ Assemble Outer Frame (D) using Outer Frame Splines and 1/4-20 x 1/2 Screw (H), ensuring Frame Ends are tight against each other when tightening.



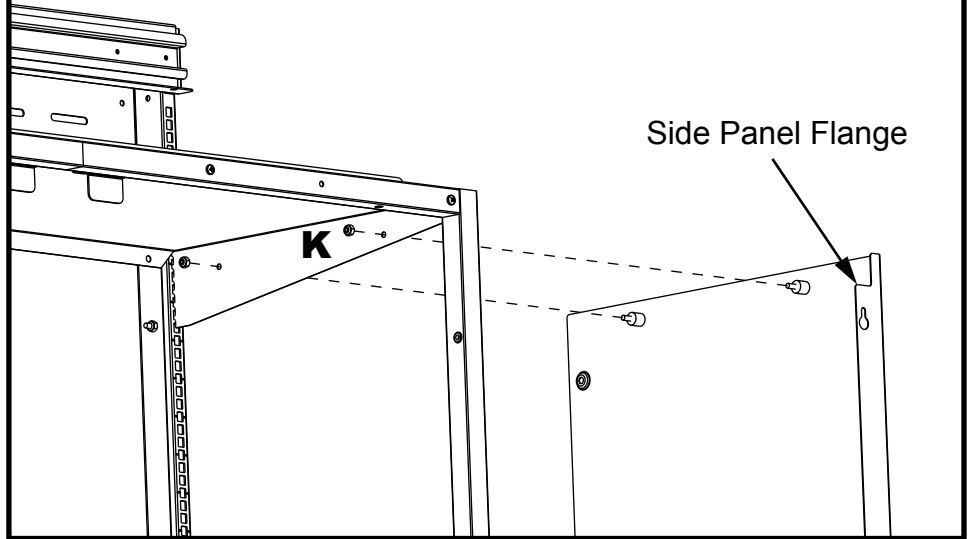
- ④ For a Right Hand Locking Door, lift and set assembled Outer Frame over the (2) pins on the Bottom Support, with the smaller Outer Frame Section on the right. Use #10-24 x 1-1/2 Screw (J) and Nylock Nut (K) to secure the Top Horizontal Tubing of the Outer Frame to the front lip of the Security Top (E).



- 5 Attach Spacers (N) and #10-24 x 1" Screws (L) to the top of Side Panel (C) as shown (two each panel required).

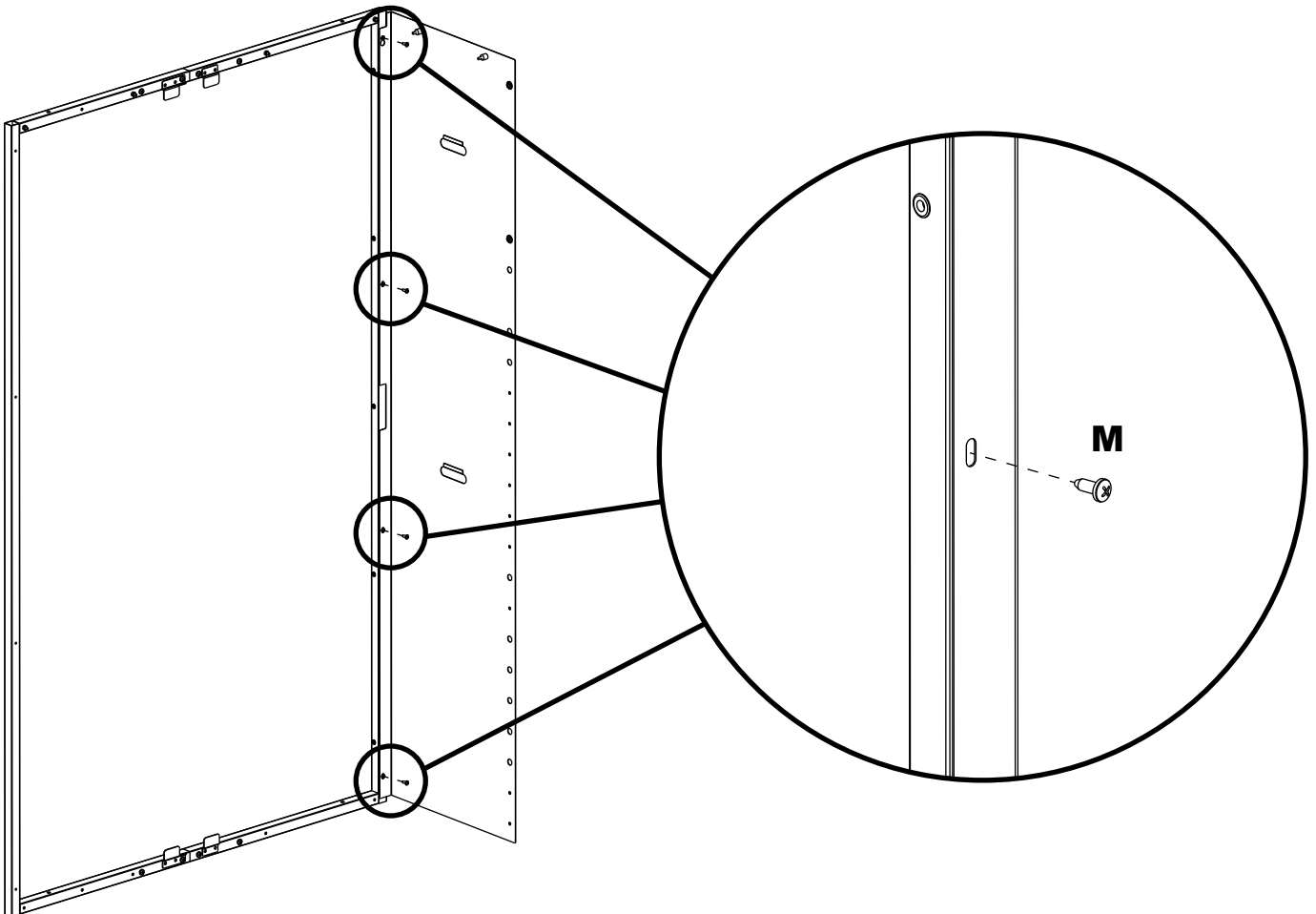


- 6 Secure Side Panel to Security Top Side Flange using Nylock Nuts (K). Make sure Side Panel flange is facing door frame.

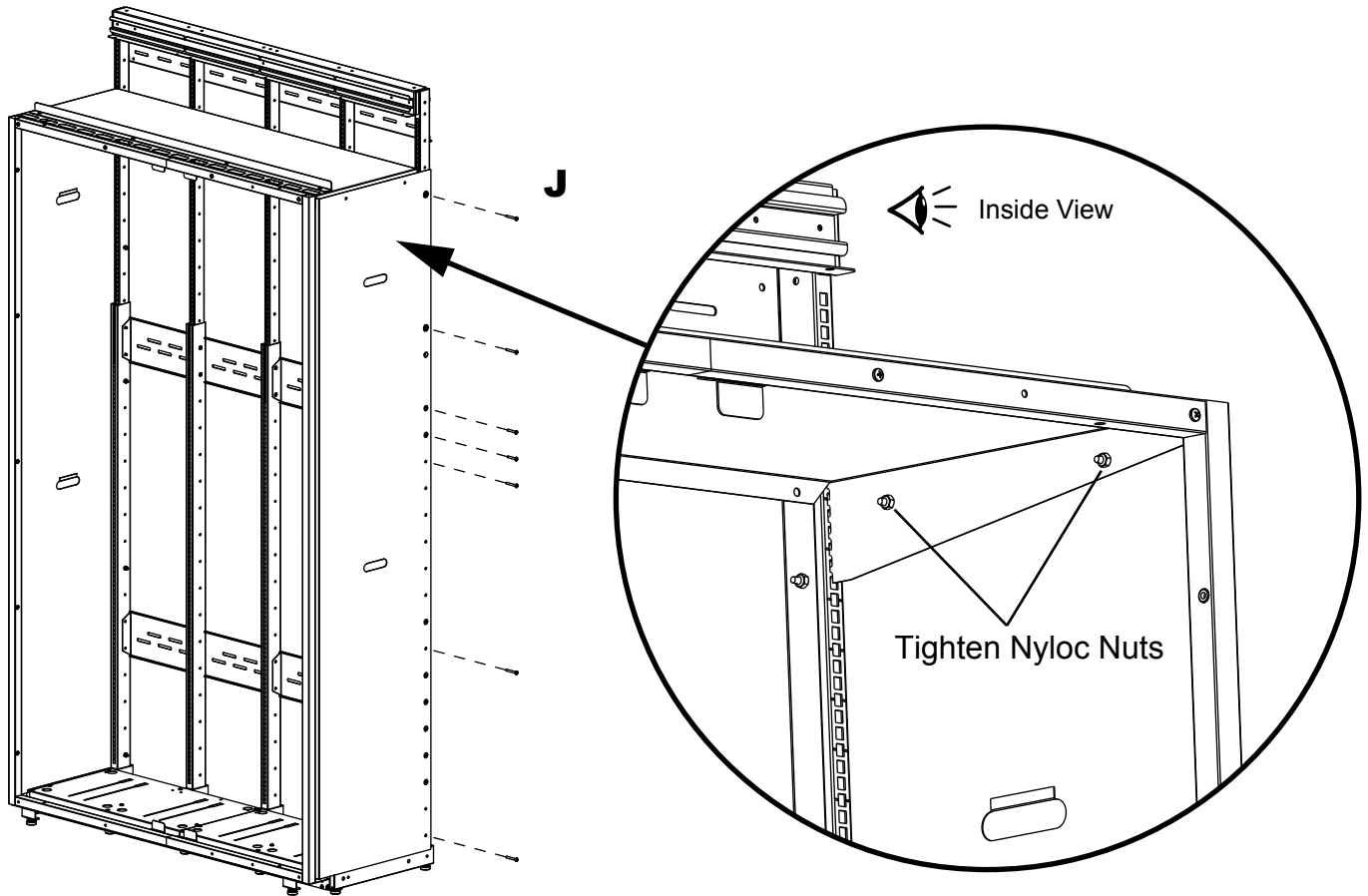


- 7 Use (4) #10-24 x 1/2 Type-F Screws (M) to secure the Side Panel Flange to the back side of the Outer Frame.

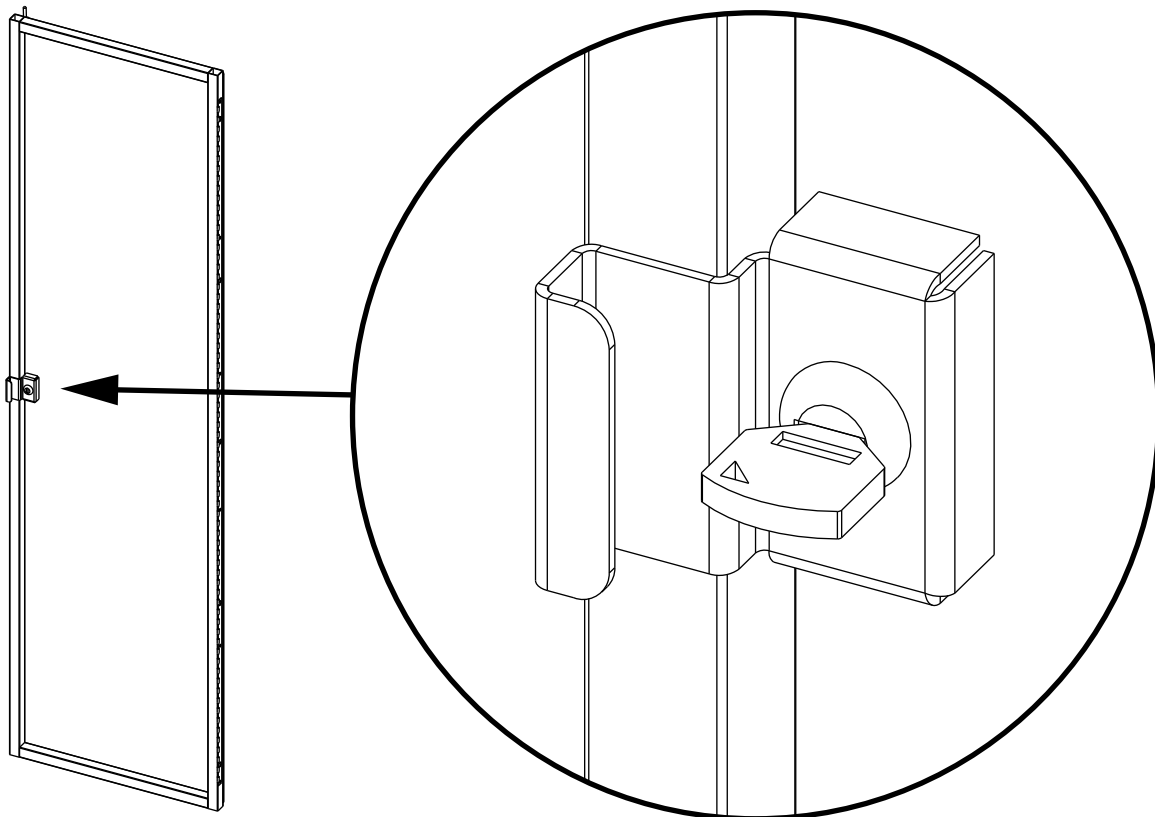
Repeat for other Panel.



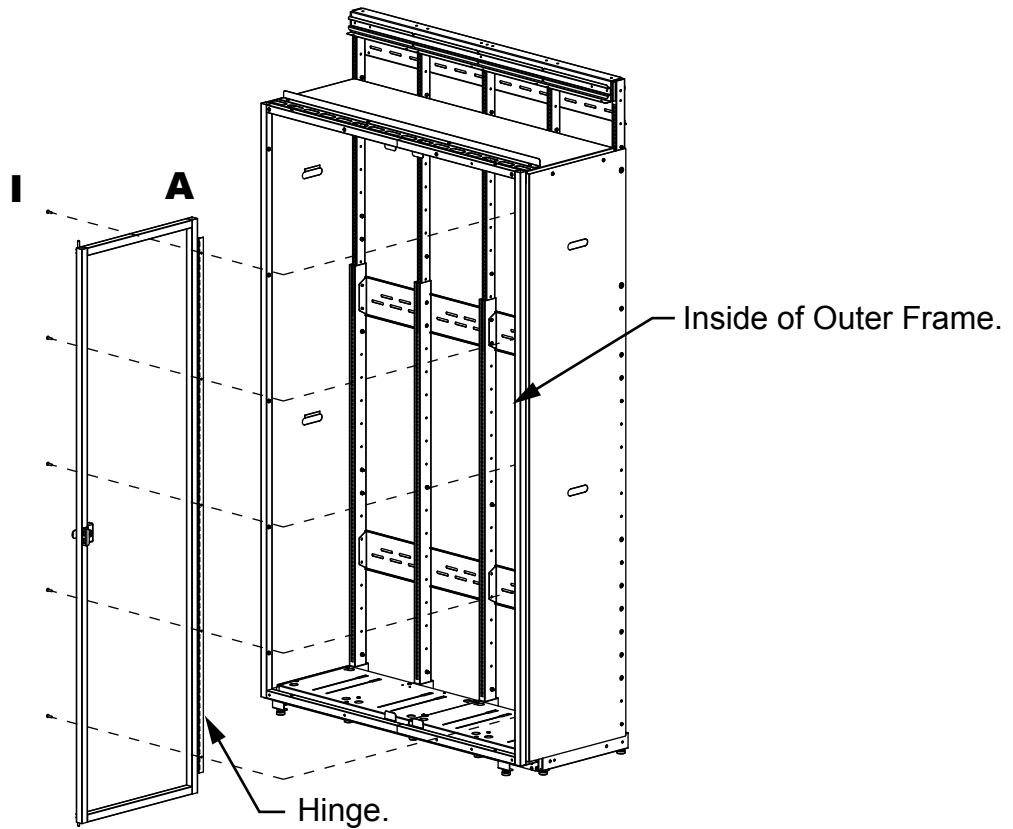
- 8 Use #10-24 x 1-1/2 Screw (J) and Nylock Nut (K) to secure the back edge of the side panels to the Fixture Uprights (5 required per side).



- 9 Insert Key into Right-hand Locking Door and turn 90° clockwise, unlocking the door.



- ⑩ Mount the unlocked Right-hand Door (**A**) to the inside of the outer Frame using the #10-24 x 5/8 Screws (**I**) through the vertical hinge. Leave the door temporarily open.



- ⑪ Mount the Left-hand Door (**A**) to the other side of the Outer Frame using the #10-24 x 5/8 Screw (**I**) through vertical hinge.

- ⑫ Close the Left-hand door first, followed by the Right-hand door. Turn key counter-clockwise 90° to lock the fixture. Install Header.

For extra security, a Padlock can be used through slots in the door handles.

